



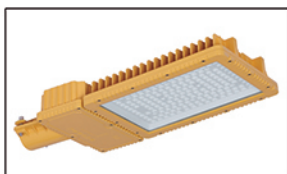
工业防爆灯  
专辑



# 常州宇迪照明有限公司

CHANGZHOU YUDI LIGHTING CO., LTD.

◆ 防爆平台灯    ◆ 防爆泛光灯    ◆ 防爆巷道灯    ◆ 防爆荧光灯



# 企业简介

## Company profile

常州宇迪照明有限公司位于常州横山桥镇东洲工业园。

本公司主要生产开发LED三防平台灯、防爆灯、厂房灯以及球场灯等系列灯具，以其良好的质量和信誉在市场上占一定的份额。

宇迪照明始终以节能、低碳、绿色、环保为己任，与时代进步相同步，凭借自身多年的管理经验与技术开发相结合，供应市场与产品开发为导向，满足于市场需求为前提。

用户满意是我们的宗旨，质量与信誉是我们企业的生命线。

我们最终的企业宗旨：

以质量求市场

以管理求效益

以信誉求客户

谢谢新老客户真诚合作！

Changzhou Yu Di Lighting Co., Ltd is located in Dongzhou industrial park, Hengshan qiao town, Changzhou city.

Our company mainly produces and develops series lamps such as LED tri-level lamp, explosion-proof lamp, factory lamp and stadium lamp, with its good quality and reputation, the company occupies a certain share in the market.

Yu Di Lighting always takes the energy saving, low carbon, green and environmental protection as its own duty, the company is synchronized with the progress of the time, it is developed by the combine of its own years of management experience and technology development, the company is guided by the supply market and product development, and it is premised on meeting the needs of the market.

Customer satisfaction is our aim, quality and reputation are the lifeline of our company.

Our ultimate enterprise aims:

Market for quality

Seeking benefit by management

Seeking customers with credit

Thanks for the sincere cooperation of the new and old customers!

## LED防爆平台灯系列

P2-11



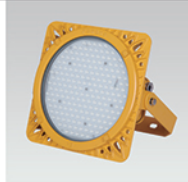
## LED防爆荧光灯系列

P12



## LED防爆泛光灯及防爆路灯系列

P13-21



## LED三防灯系列

P22-28



## LED厂房灯系列

P29-30



## 消防应急照明灯系列

P31-32







### 性能参数 Performance parameters

额定电压 Rated voltage: 85–260V  
 适配光源 Suitable light source: LED  
 防护等级 Protection grade: IP65  
 防腐等级 Anticorrosion grade: WF2  
 引出电缆 Elicited cable: 30–50cm  
 重量 Weight: 4kg  
 包装尺寸 Package size: 43 × 43 × 35cm  
 安装高度 Installation height: 6–9m

### 适用场所 Suitable places

广泛用于各类厂区、车间、场站灯场所和大型设施、设备、装置等区域作固定照明。  
 It is widely used in various factories, workshops, station lights and large facilities, equipment, installations and other areas for fixed lighting.

## YDFB-9186 防爆平台灯 (A)

### 配用光源 Light source

型号 Type	光源 Light Source	额定功率 (W) Rated Power	光通量 (lm) Luminous Flux	平均使用寿命 (h) Average Aervice Life	色温 (K) Color Temperature
YDFB-9186 防爆平台灯 (A)	LED	40	4400	50000	3000–6500
YDFB-9186 防爆平台灯 (A)	LED	50	5500	50000	3000–6500
YDFB-9186 防爆平台灯 (A)	LED	70	7700	50000	3000–6500

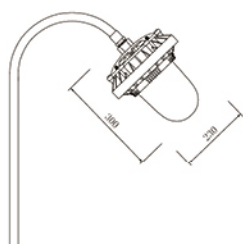
### 材质和特性

1. 精确的环照型配光设计, 可满足客户现场 360 度照明需要。
2. 灯具透明件采用防眩光设计, 配光均匀度高, 防眩光效果好, 提高照明舒适度。
3. 冷白、暖白两种配置可供选择, 适合不同场所的照明需求。
4. 采用国际品牌新一代 LED 光源, 光效高。
5. 驱动电路效率达到 0.95 以上, 更高效节能。
6. LED 光源寿命长达 50000 小时, 实现灯具光源免维护。
7. 驱动电路采用胶封设计, 防水、防潮、抗震效果好。
8. 优良散热结构设计, 提高光源的光效和寿命。
9. 从结构设计上满足防水要求, 整灯防护等级 IP65, 可在室内、室外各种场所可靠使用。
10. 整灯人性化设计, 重量轻, 方便安装维护。
11. 可满足弯杆式、壁挂式、吸顶式等多种安装方式。

### Material and characteristics

1. Accurate ring light distribution design which can meet customer's 360 degree lighting needs.
2. The transparent parts of lamps are designed with anti glare, the light distribution is high, the glare effect is good, and the lighting comfort is improved.
3. Two configurations of cold white and warm white are available for selection, which is suitable for the lighting requirements of different places.
4. Adopt the new generation of LED light source with high efficiency.
5. The efficiency of the drive circuit is over 0.95, more efficient and energy saving.
6. The source life of LED light up to 50000 hours, which realize the maintenance free of light source.
7. The driving circuit adopts glue seal design, waterproof, moisture-proof and anti-seismic effect is good.
8. Excellent heat dissipation structure design improved the light efficiency and the life of light source.
9. The structural design meets the requirements of waterproofing, and the overall lamp protection level is IP65, which can be used reliably in various indoor and outdoor locations.
10. Humanized design of whole lamp, light weight, convenient installation and maintenance.
11. It can satisfy curved lever, wall hanging type, ceiling type and other installation methods.

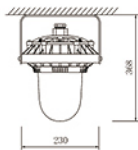
### 外形尺寸及安装方式 Shape size and installation method



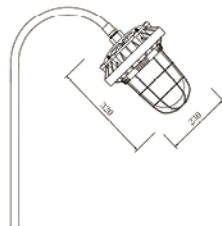
弯杆式



壁挂式



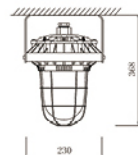
吸顶式



弯杆式



壁挂式



吸顶式



## 性能参数 Performance parameters

额定电压 Rated voltage: 85–260V  
 适配光源 Suitable light source: LED  
 防护等级 Protection grade: IP65  
 防腐等级 Anticorrosion grade: WF2  
 引出电缆 Elicited cable: 30–50cm  
 重量 Weight: 3.1kg  
 包装尺寸 Package size: 47×47×19cm  
 安装高度 Installation height: 6–9m

## 适用场所 Suitable places

广泛用于各类厂区、车间、场站灯场所和大型设施、设备、装置等区域作固定照明。

It is widely used in various factories, workshops, station lights and large facilities, equipment, installations and other areas for fixed lighting.



# YDFB-9186 防爆平台灯 (B)

## 配用光源 Light source

型号 Type	光源 Light Source	额定功率 (W) Rated Power	光通量 (lm) Luminous Flux	平均使用寿命 (h) Average Service Life	色温 (K) Color Temperature
YDFB-9186 防爆平台灯 (B)	LED	20	2200	50000	3000–6500
YDFB-9186 防爆平台灯 (B)	LED	30	3300	50000	3000–6500
YDFB-9186 防爆平台灯 (B)	LED	40	4400	50000	3000–6500
YDFB-9186 防爆平台灯 (B)	LED	50	5500	50000	3000–6500

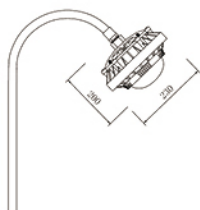
## 材质和特性

1. 精确的环照型配光设计, 可满足客户现场 360 度照明需要。
2. 灯具透明件采用防眩光设计, 配光均匀度高, 防眩光效果好, 提高照明舒适度。
3. 冷白、暖白两种配置可供选择, 适合不同场所的照明需求。
4. 采用国际品牌新一代 LED 光源, 光效高。
5. 驱动电路效率达到 0.95 以上, 更高效节能。
6. LED 光源寿命长达 50000 小时, 实现灯具光源免维护。
7. 驱动电路采用胶封设计, 防水、防潮、抗震效果好。
8. 优良散热结构设计, 提高光源的光效和寿命。
9. 从结构设计上满足防水要求, 整灯防护等级 IP65, 可在室内、室外各种场所可靠使用。
10. 整灯人性化设计, 重量轻, 方便安装维护。
11. 可满足弯杆式、壁挂式、吸顶式等多种安装方式。

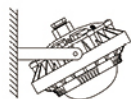
## Material and characteristics

1. Accurate ring light distribution design which can meet customer's 360 degree lighting needs.
2. The transparent parts of lamps are designed with anti glare, the light distribution is high, the glare effect is good, and the lighting comfort is improved.
3. Two configurations of cold white and warm white are available for selection, which is suitable for the lighting requirements of different places.
4. Adopt the new generation of LED light source with high efficiency.
5. The efficiency of the drive circuit is over 0.95, more efficient and energy saving.
6. The source life of LED light up to 50000 hours, which realize the maintenance free of light source.
7. The driving circuit adopts glue seal design, waterproof, moisture-proof and anti-seismic effect is good.
8. Excellent heat dissipation structure design improved the light efficiency and the life of light source.
9. The structural design meets the requirements of waterproofing, and the overall lamp protection level is IP65, which can be used reliably in various indoor and outdoor locations.
10. Humanized design of whole lamp, light weight, convenient installation and maintenance.
11. It can satisfy curved lever, wall hanging type, ceiling type and other installation methods.

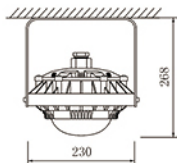
## 外形尺寸及安装方式 Shape size and installation method



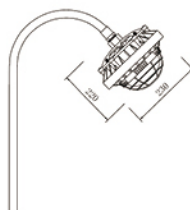
弯杆式



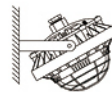
壁挂式



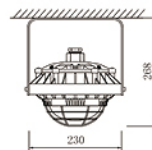
吸顶式



弯杆式



壁挂式



吸顶式



## YDFB-8120

### 适用范围 Scope of application

1. 适用于爆炸性气体环境 1 区、2 区；
  2. 适用于 IIA、IIB、IIC 级爆炸性气体环境；
  3. 适用于温度组别为 T1 ~ T6 的环境；
  4. 适用于各类装置、平台、廊道、通道及车间、厂房等场所作固定照明；
  5. 适用于电力、冶金、船舶、交通设施等行业的室内照明。
1. It is suitable for area 1 and 2 of explosive gas environment.
2. Suitable for Class IIA, IIB, IIC explosive gas environment
3. Suitable for environment with temperature group T1 ~ T6
4. It is suitable for all kinds of devices, platforms, corridors, corridors and workshops. Fixed lighting for factory buildings and other places.
5. It is suitable for indoor and outdoor lighting in electric power, metallurgy, shipping, transportation and other industries.

### 光学系统特点 Characteristics of optical system

1. 精确的环照配光设计，可满足客户现场 360° 全方位照明。
  2. 选用品牌 LED 光源，光效高、显色性高、光衰小、能耗低、无闪烁、超长使用寿命，免维护，无需后续使用成本。
  3. 光源采用 CREE 品牌，光斑无暗区，同比金卤灯节能 60% 以上。
1. Accurate design of ring illumination can satisfy customers' 360 degree all-round illumination. Characteristics of optical system.
2. Select brand LED light source with high light efficiency, high color rendering, low light decay, low energy consumption, no flicker, long service life, maintenance-free, no subsequent use costs.
3. The light source adopts CREE brand, and the spot has no dark area. It saves more than 60% energy compared with the metal halide lamp.

### 驱动系统特点 Driving system characteristics

1. 采用恒流驱动，具有短路、过压保护功能。
2. 可作一体式应急功能，安装方便，简单。可启动应急降功率功能，在无人环境下应急更节能，提高了消防安全功能。
3. 优异的兼容性，不会对其它电器造成干扰，可使电压容差 25% 波动。
4. 驱动采用胶封工艺，确保元器件进行散热及不受腐蚀。

1. Constant current drive with short circuit and over voltage protection function.
2. It can be used as an integrated emergency function, easy to install and simple. It can start emergency power reduction function, save energy and improve fire safety function in unmanned environment.
3. Excellent compatibility will not interfere with other electrical appliances, and can make the voltage tolerance fluctuate by 25%.
4. Sealing technology is used to ensure that components are heat-dissipating and not corroded.

### 整灯结构特点 Structural characteristics of the whole lamp

1. 外壳采用优质铝合金压铸成型强度高；表面高压静电粉末喷涂处理，耐腐蚀；
  2. 优良散热结构设计，提供光源折光效率和寿命；
  3. 整体采用一体式设计，重量轻，方便现场安装和维修，并简化了现场布线。
1. The shell is made of high-quality aluminium alloy with high die-casting strength, and the surface is sprayed with high-voltage electrostatic powder, which is corrosion-resistant.
2. Excellent heat dissipation structure design, providing refractive effect and life of light source.
3. Integral design, light weight, convenient installation and maintenance on site, and simplified wiring on site.

### 配用光源 Light source

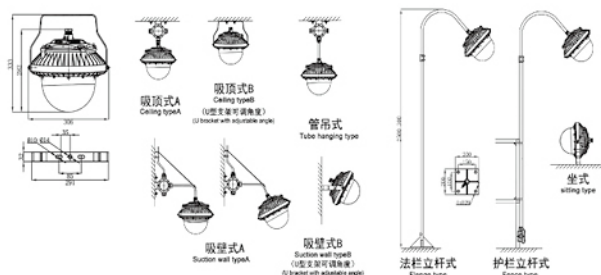
型号 Type	光源 Light Source	额定功率 (W) Rated Power	光通量 (lm) Luminous Flux	平均使用寿命 (h) Average Service Life
YDFB-8120	LED	100	11000	50000
YDFB-8120	LED	110	12100	50000
YDFB-8120	LED	120	13200	50000
YDFB-8120	LED	130	14300	50000
YDFB-8120	LED	140	15400	50000
YDFB-8120	LED	150	16500	50000
YDFB-8120	LED	180	19800	50000
YDFB-8120	LED	200	22000	50000

### 主要技术参数 Main technical parameters

工作电压: AC/DC220V ± 25% 50Hz  
 额定功率: 100W/110W/120W/130W/140W/150W/180W  
 防爆标志: ExdIICT6  
 防护等级: IP65  
 防腐等级: WF2  
 功率因素: 0.95  
 尺寸: 333 × 306mm  
 重量: 5.5Kg  
 安装高度: 不同功率可在 2.5 米 - 10 米高度进行安装  
 安装方式: U 形自调角度壁式安装、吸顶式  
 引入装置: G3/4 引入口规格，合适 φ10mm - φ14mm 电缆  
 执行标准: GB3836.1、GB3836.2、IEC60079-0、IEC60079-1、EN60079-0、EN60079-1

Working voltage	AC/DC220V ± 25% 50Hz
Rated power	100W/110W/120W/130W/140W/150W/180W
Ex-mark	ExdIICT6
Protection grade	IP65
Anticorrosion grade	WF2
Power factor	0.95
Dimension	333 × 306mm
Weight	5.5Kg
Installation height	Different powers can be installed at altitudes of 2.5-10 meters.
Installation mode	U-shaped self-adjusting angle wall mounting and ceiling suction
Lead-in device	G3/4 inlet specification, suitable for cable of 10mm-14mm
Executive standard	GB3836.1, GB3836.2, IEC60079-0, IEC60079-1, EN60079-0, EN60079-1

### 外形尺寸及安装方式 Shape size and installation method





## 适用范围 Scope of application

1. 适用于石油开采、炼油、化工、军工及海洋石油平台、邮轮等场所工作及场景照明；
  2. 用作厂区或仓库照明；
1. It is suitable for petroleum exploitation, refining, chemical industry, military industry and so on, Ocean oil platform, cruise and other places of work and scene lighting;
2. It is used for lighting in factory or warehouse.

## 光学系统特点 Characteristics of optical system

1. 优选进口芯片，具有优异的光通维持率及高光效。
  2. 采用表面贴装技术（SMT），大幅度提高导热性能。
  3. 采用最新科技纳米技术，比镀过的工程塑料提高光照度的16.67%。
1. Optimize the imported chips, which have excellent optical maintenance rate and high optical efficiency.
2. Surface mounting technology (SMT) is adopted to improve the thermal conductivity greatly.
3. Using the latest technology and nanotechnology, the illumination is 16.67% higher than that of coated engineering plastics

## 驱动系统特点 Driving system characteristics

1. 采用恒流驱动，具有短路、过压保护功能。
  2. 可做一体式应急功能，安装方便，简单。可启动应急降功率功能，在无人环境下应急更节能，提高了消防安全功能。
  3. 优异的兼容性，不会对其它电器造成干扰，可使电压容差25%波动。
  4. 驱动采用胶封工艺，确保元器件进行散热及不受腐蚀。
1. Constant current drive with short circuit and over voltage protection function.
2. It can be used as an integrated emergency response function. It is easy to install and simple. It can start emergency power reduction function, save energy and improve fire safety function in unmanned environment.
3. Excellent compatibility will not interfere with other electrical appliances, and can make the voltage tolerance fluctuate by 25%.
4. Sealing technology is used to ensure that components are heat-dissipating and not corroded.

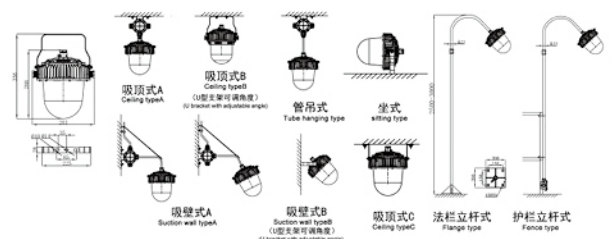
## 整灯结构特点 Structural characteristics of the whole lamp

1. 高纯铝型材壳体，表面氧化处理，导热性能好。
  2. 特殊结构设计，使用LED光源工作产生的热量及时有效散发，保证光源性能。
  3. 单向发光，光利用率高，灯具效率高。
  4. 制的恒流恒压源，宽电压输入，恒功率输出，具有分流、恒流、开路、短路等保护功能。
  5. 高功率因数， $\text{COS}\Phi > 0.98$ 。
  6. 安装方式多种，另可根据用户要求定制。
1. High purity aluminum profile shell, surface oxidation treatment, good thermal conductivity.
2. Special structure design, using the heat generated by the working of LED light source to distribute in time and effectively to ensure the performance of the light source.
3. Unidirectional luminescence, high utilization of light, high efficiency of lamps and lanterns.
4. Constant current and constant voltage source, wide voltage input, constant power output, with shunt, constant current, open circuit, short circuit protection functions.
5. High power factor,  $\text{COS}\Phi > 0.98$ .
6. There are many ways of installation, and it can be customized according to user's requirements

## 配用光源 Light source

型号 Type	光源 Light Source	额定功率 (W) Rated Power	光通量 (lm) Luminous Flux	平均使用寿命 (h) Average Service Life
YDFB-8121	LED	40	4400	50000
YDFB-8121	LED	50	5500	50000
YDFB-8121	LED	60	6600	50000
YDFB-8121	LED	70	7700	50000
YDFB-8121	LED	80	8800	50000
YDFB-8121	LED	100	11000	50000
YDFB-8121	LED	120	13200	50000

## 外形尺寸及安装方式 Shape size and installation method



## 主要技术参数 Main technical parameters

工作电压: AC/DC220V $\pm$ 25%50HZ  
 额定功率: 40W/50W/60W/70W/80W/100W/120W  
 防爆标志: ExdIICT6/ExnRIIT6/DIPA20TA、T6  
 防护等级: IP65  
 防腐等级: WF2  
 功率因素: 0.95  
 尺寸: 356 $\times$ 261mm  
 重量: 5.1Kg  
 安装高度: 不同功率可在2.5米-4米高度进行安装  
 安装方式: 吸顶式、法兰式、护栏式  
 引入装置: G3/4引入口规格，合适 $\phi$ 10mm- $\phi$ 14mm电缆  
 执行标准: GB3836.1、GB3836.2、IEC60079-0、IEC60079-1、EN60079-0、EN60079-1

Working voltage	AC/DC220V $\pm$ 25%50HZ
Rated power	40W/50W/60W/70W/80W/100W/120W
Ex-mark	ExdIICT6/ExnRIIT6/DIPA20TA、T6
Protection grade	IP65
Anticorrosion grade	WF2
Power factor	0.95
Dimension	356 $\times$ 261mm
Weight	5.1Kg
Installation height	Different powers can be installed at altitudes of 2.5-4 meters.
Installation mode	Suction top type, flange type, guardrail type
Lead-in device	G3/4 inlet specification, suitable for cable of 10mm-14mm
Executive standard	GB3836.1, GB3836.2, IEC60079-0, IEC60079-1, EN60079-0, EN60079-1



YDFB-8121



### 性能参数 Performance parameters

额定电压 Rated voltage: 85-260V  
 适配光源 Suitable light source: LED  
 防护等级 Protection grade: IP65  
 防腐等级 Anticorrosion grade: WF2  
 引出电缆 Elicited cable: 30-50cm  
 重量 Weight: 4.3kg  
 包装尺寸 Package size: 47×47×19cm  
 安装高度 Installation height: 3-6m

### 适用场所 Suitable places

广泛用于各类厂区、车间、场站灯场所和大型设施、设备、装置等区域作固定照明。  
 It is widely used in various factories, workshops, station lights and large facilities, equipment, installations and other areas for fixed lighting.

## YDFB-9180 防爆平台灯 (B)

### 配用光源 Light source

型号 Type	光源 Light Source	额定功率 (W) Rated Power	光通量 (lm) Luminous Flux	平均使用寿命 (h) Average Service Life	色温 (K) Color Temperature
YDFB-9180 防爆平台灯 (B)	LED	20	2200	50000	3000-6500
YDFB-9180 防爆平台灯 (B)	LED	30	3300	50000	3000-6500
YDFB-9180 防爆平台灯 (B)	LED	40	4400	50000	3000-6500
YDFB-9180 防爆平台灯 (B)	LED	50	5500	50000	3000-6500

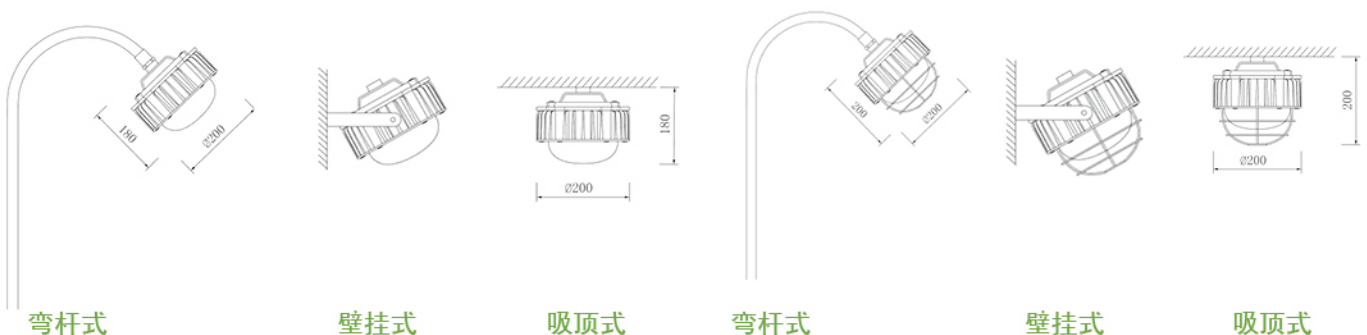
### 材质和特性

1. 精确的环照型配光设计, 可满足客户现场 360 度照明需要。
2. 灯具透明件采用防眩光设计, 配光均匀度高, 防眩光效果好, 提高照明舒适度。
3. 冷白、暖白两种配置可供选择, 适合不同场所的照明需求。
4. 采用国际品牌新一代 LED 光源, 光效高。
5. 驱动电路效率达到 0.95 以上, 更高效节能。
6. LED 光源寿命长达 50000 小时, 实现灯具光源免维护。
7. 驱动电路采用胶封设计, 防水、防潮、抗震效果好。
8. 优良散热结构设计, 提高光源的光效和寿命。
9. 从结构设计上满足防水要求, 整灯防护等级 IP65, 可在室内、室外各种场所可靠使用。
10. 整灯人性化设计, 重量轻, 方便安装维护。
11. 可满足弯杆式、壁挂式、吸顶式等多种安装方式。

### Material and characteristics

1. Accurate ring light distribution design which can meet customer's 360 degree lighting needs.
2. The transparent parts of lamps are designed with anti glare, the light distribution is high, the glare effect is good, and the lighting comfort is improved.
3. Two configurations of cold white and warm white are available for selection, which is suitable for the lighting requirements of different places.
4. Adopt the new generation of LED light source with high efficiency.
5. The efficiency of the drive circuit is over 0.95, more efficient and energy saving.
6. The source life of LED light up to 50000 hours, which realize the maintenance free of light source.
7. The driving circuit adopts glue seal design, waterproof, moisture-proof and anti-seismic effect is good.
8. Excellent heat dissipation structure design improved the light efficiency and the life of light source.
9. The structural design meets the requirements of waterproofing, and the overall lamp protection level is IP65, which can be used reliably in various indoor and outdoor locations.
10. Humanized design of whole lamp, light weight, convenient installation and maintenance.
11. It can satisfy curved lever, wall hanging type, ceiling type and other installation methods.

### 外形尺寸及安装方式 Shape size and installation method





## 性能参数 Performance parameters

额定电压 Rated voltage: 85–260V  
 适配光源 Suitable light source: LED  
 防护等级 Protection grade: IP65  
 防腐等级 Anticorrosion grade: WF2  
 引出电缆 Elicited cable: 30–50cm  
 重量 Weight: 4.5kg  
 包装尺寸 Package size: 43 × 43 × 35cm  
 安装高度 Installation height: 3–6m

## 适用场所 Suitable places

广泛用于各类厂区、车间、场站灯场所和大型设施、设备、装置等区域作固定照明。

It is widely used in various factories, workshops, station lights and large facilities, equipment, installations and other areas for fixed lighting.



# YDFB-9180 防爆平台灯 (A)

## 配用光源 Light source

型号 Type	光源 Light Source	额定功率 (W) Rated Power	光通量 (lm) Luminous Flux	平均使用寿命 (h) Average Service Life	色温 (K) Color Temperature
YDFB-9180 防爆平台灯 (A)	LED	40	4400	50000	3000–6500
YDFB-9180 防爆平台灯 (A)	LED	50	5500	50000	3000–6500
YDFB-9180 防爆平台灯 (A)	LED	60	6600	50000	3000–6500
YDFB-9180 防爆平台灯 (A)	LED	80	8800	50000	3000–6500

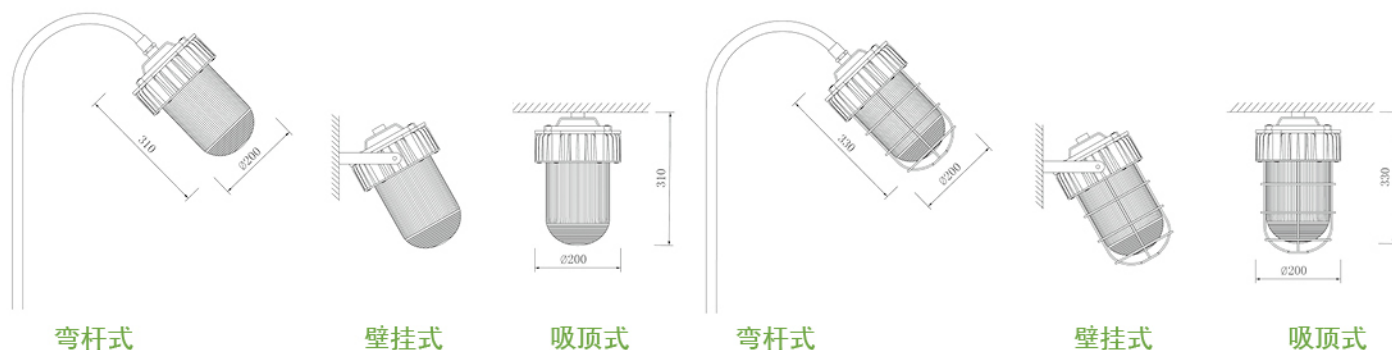
## 材质和特性

1. 精确的环照型配光设计，可满足客户现场 360 度照明需要。
2. 灯具透明件采用防眩光设计，配光均匀度高，防眩光效果好，提高照明舒适度。
3. 冷白、暖白两种配置可供选择，适合不同场所的照明需求。
4. 采用国际品牌新一代 LED 光源，光效高。
5. 驱动电路效率达到 0.95 以上，更高效节能。
6. LED 光源寿命长达 50000 小时，实现灯具光源免维护。
7. 驱动电路采用胶封设计，防水、防潮、抗震效果好。
8. 优良散热结构设计，提高光源的光效和寿命。
9. 从结构设计上满足防水要求，整灯防护等级 IP65，可在室内、室外各种场所可靠使用。
10. 整灯人性化设计，重量轻，方便安装维护。
11. 可满足弯杆式、壁挂式、吸顶式等多种安装方式。

## Material and characteristics

1. Accurate ring light distribution design which can meet customer's 360 degree lighting needs.
2. The transparent parts of lamps are designed with anti glare, the light distribution is high, the glare effect is good, and the lighting comfort is improved.
3. Two configurations of cold white and warm white are available for selection, which is suitable for the lighting requirements of different places.
4. Adopt the new generation of LED light source with high efficiency.
5. The efficiency of the drive circuit is over 0.95, more efficient and energy saving.
6. The source life of LED light up to 50000 hours, which realize the maintenance free of light source.
7. The driving circuit adopts glue seal design, waterproof, moisture-proof and anti-seismic effect is good.
8. Excellent heat dissipation structure design improved the light efficiency and the life of light source.
9. The structural design meets the requirements of waterproofing, and the overall lamp protection level is IP65, which can be used reliably in various indoor and outdoor locations.
10. Humanized design of whole lamp, light weight, convenient installation and maintenance.
11. It can satisfy curved lever, wall hanging type, ceiling type and other installation methods.

## 外形尺寸及安装方式 Shape size and installation method





### 性能参数 Performance parameters

额定电压 Rated voltage: 85-260V  
 适配光源 Suitable light source: LED  
 防护等级 Protection grade: IP65  
 防腐等级 Anticorrosion grade: WF2  
 引出电缆 Elicited cable: 30-50cm  
 重量 Weight: 3kg  
 包装尺寸 Package size: 43 × 43 × 30cm  
 安装高度 Installation height: 3-6m

### 适用场所 Suitable places

广泛用于各类厂区、车间、场站灯场所和大型设施、设备、装置等区域作固定照明。  
 It is widely used in various factories, workshops, station lights and large facilities, equipment, installations and other areas for fixed lighting.

## YDFB-8767 防爆平台灯

### 配用光源 Light source

型号 Type	光源 Light Source	额定功率 (W) Rated Power	光通量 (lm) Luminous Flux	平均使用寿命 (h) Average Service Life	色温 (K) Color Temperature
YDFB-8767 防爆平台灯	LED	20	2200	50000	3000-6500
YDFB-8767 防爆平台灯	LED	30	3300	50000	3000-6500
YDFB-8767 防爆平台灯	LED	40	4400	50000	3000-6500
YDFB-8767 防爆平台灯	LED	50	5500	50000	3000-6500

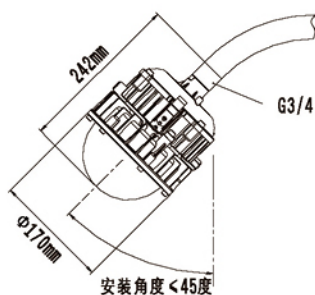
### 材质和特性

1. 精确的环照型配光设计, 可满足客户现场 360 度照明需要。
2. 灯具透明件采用防眩光设计, 配光均匀度高, 防眩光效果好, 提高照明舒适度。
3. 冷白、暖白两种配置可供选择, 适合不同场所的照明需求。
4. 采用国际品牌新一代 LED 光源, 光效高。
5. 驱动电路效率达到 0.95 以上, 更高效节能。
6. LED 光源寿命长达 50000 小时, 实现灯具光源免维护。
7. 驱动电路采用胶封设计, 防水、防潮、抗震效果好。
8. 优良散热结构设计, 提高光源的光效和寿命。
9. 从结构设计上满足防水要求, 整灯防护等级 IP65, 可在室内、室外各种场所可靠使用。
10. 整灯人性化设计, 重量轻, 方便安装维护。
11. 可满足弯杆式、壁挂式、吸顶式等多种安装方式。

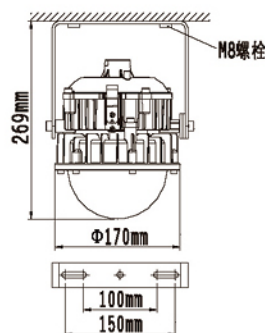
### Material and characteristics

1. Accurate ring light distribution design which can meet customer's 360 degree lighting needs.
2. The transparent parts of lamps are designed with anti glare, the light distribution is high, the glare effect is good, and the lighting comfort is improved.
3. Two configurations of cold white and warm white are available for selection, which is suitable for the lighting requirements of different places.
4. Adopt the new generation of LED light source with high efficiency.
5. The efficiency of the drive circuit is over 0.95, more efficient and energy saving.
6. The source life of LED light up to 50000 hours, which realize the maintenance free of light source.
7. The driving circuit adopts glue seal design, waterproof, moisture-proof and anti-seismic effect is good.
8. Excellent heat dissipation structure design improved the light efficiency and the life of light source.
9. The structural design meets the requirements of waterproofing, and the overall lamp protection level is IP65, which can be used reliably in various indoor and outdoor locations.
10. Humanized design of whole lamp, light weight, convenient installation and maintenance.
11. It can satisfy curved lever, wall hanging type, ceiling type and other installation methods.

### 外形尺寸及安装方式 Shape size and installation method



弯杆式



吸顶式



## 适用范围 Scope of application

1. 适用于爆炸性气体环境 1 区、2 区；
  2. 适用于钻进平台、石化厂、化工厂、制药灯长时间存在可燃气体、蒸汽的区域。
1. It is suitable for area 1 and 2 of explosive gas environment.
2. Suitable for drilling platform, petrochemical plant, chemical plant, pharmaceutical lamp area where flammable gas and steam exist for a long time.

## 光学系统特点 Characteristics of optical system

1. 选用品牌 LED 光源，光效高、显色性高、光衰小、能耗低、无闪烁、超长使用寿命、免维护、无需后续使用成本。
2. 光源采用 CREE 品牌，光斑无暗区，同比金卤灯节能 60% 以上。

1. Select brand LED light source with high light efficiency, high color rendering, low light decay, low energy consumption, no flicker, long service life, maintenance-free, no subsequent use costs.

2. The light source adopts CREE brand, and the spot has no dark area. It saves more than 60% energy compared with the metal halide lamp.

## 驱动系统特点 Driving System Characteristics

1. 采用恒流驱动，具有短路、过压保护功能。
2. 优异的兼容性，不会对其它电器造成干扰，可使电压容差 25% 波动。
3. 驱动采用胶封工艺，确保元器件进行散热及不受腐蚀。

1. Constant current drive with short circuit and over voltage protection function.

2. Excellent compatibility will not interfere with other electrical appliances, and can make the voltage tolerance fluctuate by 25%.

3. Sealing technology is used to ensure that components are heat-dissipating and not corroded.

## 整灯结构特点 Structural characteristics of the whole lamp

1. 采用国内品牌的交直流宽电压恒功率电源，功率因数高达 0.9 以上。
2. 壳体采用 ADC12 铝合金加工而成，标准件 304 不锈钢材质，表面采用高科技防腐处理技术，适用于各种恶劣工业作业环境。
3. 透明件采用高强度钢化玻璃，透光率高，抗冲击性能好，灯具可在各种恶劣的环境下正常工作。
4. 吸顶式、壁式、吊杆式等多种安装，电缆间接引入方式，安装接线简单方便。

1. Using domestic brand AC/DC wide voltage constant Power supply, the power factor is over 0.9;

2. The shell is made of ADC12 aluminium alloy. The standard part is 304 stainless steel. The surface adopts high-tech anticorrosive treatment technology. It is suitable for use in industry.

All kinds of harsh industrial working environment;

3. Transparent parts are made of high strength toughened glass with high transmittance and good impact resistance. Lamps can work normally in various harsh environments.

4. Suction top type, wall type, suspender type and other installation, cable indirect introduction, installation and wiring is simple and convenient.

## 配用光源 Light source

型号 Type	光源 Light Source	额定功率 (W) Rated Power	光通量 (lm) Luminous Flux	平均使用寿命 (h) Average Service Life
YDFB-8123	LED	30	3300	50000
YDFB-8123	LED	45	4950	50000
YDFB-8123	LED	50	5500	50000
YDFB-8123	LED	60	6600	50000
YDFB-8123	LED	70	7700	50000
YDFB-8123	LED	80	8800	50000
YDFB-8123	LED	90	9900	50000
YDFB-8123	LED	100	11000	50000



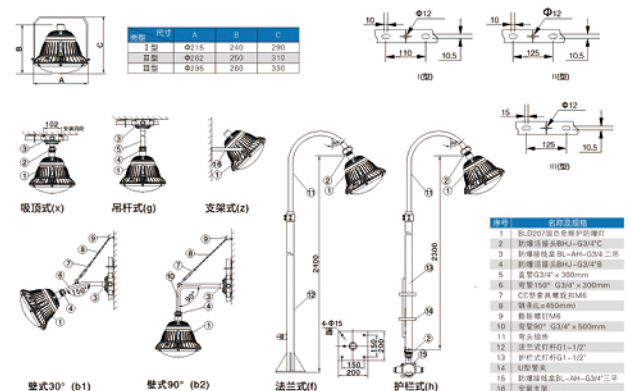
# YDFB-8123

## 主要技术参数 Main technical parameters

工作电压: AC/DC220V ± 25% 50HZ  
 额定功率: 30W/45W/50W/60W/70W/80W/90W/100W  
 防爆标志: ExdIICT6  
 防护等级: IP65  
 防腐等级: WF2  
 功率因素: 0.95  
 尺寸: 215 × 240/262 × 250/295 × 280mm  
 重量: 3.6/4.5/5.8Kg  
 安装高度: 不同功率可在 3 米—10 米高度进行安装  
 安装方式: U 形自调角度壁式安装、吸顶式  
 引入装置: G3/4 引入口规格，合适 φ10mm—φ14mm 电缆  
 执行标准: GB3836.1, GB3836.2, IEC60079-0, IEC60079-1, EN60079-0, EN60079-1

Working voltage AC/DC220V ± 25% 50Hz  
 Rated power 30W/45W/50W/60W/70W/80W/90W/100W  
 Ex-mark ExdIICT6  
 Protection grade IP66  
 Anticorrosion grade WF2  
 Power factor 0.95  
 Dimension 215 × 240/262 × 250/295 × 280mm  
 Weight 3.6/4.5/5.8Kg  
 Installation height Different powers can be installed at altitudes of 3–10 meters.  
 Installation mode U-shaped self-adjusting angle wall mounting and ceiling suction  
 Lead-in device G3/4 inlet specification, suitable for cable of 10mm–14mm  
 Executive standard GB3836.1, GB3836.2, IEC60079-0, IEC60079-1, EN60079-0, EN60079-1

## 外形尺寸及安装方式 Shape size and installation method





## 适用范围 Scope of application

1. 适用于爆炸性气体环境 1 区、2 区；
2. 适用于 IIA、IIB、IIC 级爆炸性气体环境；
3. 适用于温度组别为 T1 ~ T6 的环境；
4. 适用于石油隧道、储存、化工、医药、等危险环境；
5. 用作厂区低空作业或隧道照明。
  1. It is suitable for area 1 and 2 of explosive gas environment.
  2. Suitable for Class IIA, IIB, IIC explosive gas environment
  3. Suitable for environment with temperature group T1 ~ T6
  4. It is suitable for dangerous environment such as petroleum tunnel, storage, chemical industry, medicine, etc.
  5. Used for low-altitude operation or tunnel lighting in factory area

## 光学系统特点 Characteristics of optical system

1. 优选进口芯片，具有优异的光通维持率及高光效。
2. 采用表面贴装技术（SMT）、大幅度提高导热性能。
3. 采用最新科技纳米技术，比镀过的工程塑料提高光照度的 16.67%。
  1. Optimize the imported chips, which have excellent optical maintenance rate and high optical efficiency.
  2. Surface mounting technology (SMT) is adopted to improve the thermal conductivity greatly.
  3. Using the latest technology and nanotechnology, the illumination is 16.67% higher than that of coated engineering plastics

# YDFB-8124



## 驱动系统特点 Driving System Characteristics

1. 采用恒流驱动，具有短路、过压保护功能。
2. 优异的兼容性，不会对其它电器造成干扰，可使电压容差 25% 波动。
3. 驱动采用胶封工艺，确保元器件进行散热及不受腐蚀。
  1. Constant current drive with short circuit and over voltage protection function.
  2. Excellent compatibility will not interfere with other electrical appliances, and can make the voltage tolerance fluctuate by 25%.
  3. Sealing technology is used to ensure that components are heat-dissipating and not corroded.

## 整灯结构特点 Structural characteristics of the whole lamp

1. 标准散热结构，接线腔、电源腔、光源腔都独立进行散热，互不影响。
2. 外露紧固件及其附件采用 304 不锈钢，防腐性能更强。
3. 灯具轻便，便于安装，螺纹灯壳接口，更便于安装及维护。
4. 安装方式可选用吸顶式。
  1. Standard heat dissipation structure, wiring chamber, power supply chamber and light source chamber all conduct heat dissipation independently without affecting each other.
  2. Exposed fasteners and accessories adopt 304 stainless steel, which has stronger anti-corrosion performance.
  3. It is easy to install and maintain by adopting an integrated emergency response without the need for another distribution box.
  4. Top-suction type is optional for installation.

## 配用光源 Light source

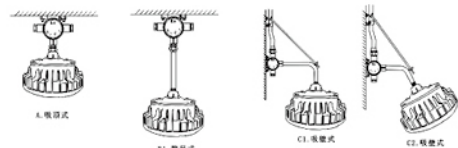
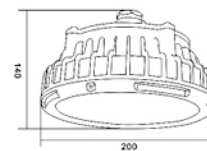
型号 Type	光源 Light Source	额定功率 (W) Rated Power	光通量 (lm) Luminous Flux	平均使用寿命 (h) Average Service Life
YDFB-8124	LED	20	2200	50000
YDFB-8124	LED	30	3300	50000
YDFB-8124	LED	40	4400	50000
YDFB-8124	LED	50	5500	50000

## 主要技术参数 Main technical parameters

工作电压: AC/DC220V ± 25% 50Hz  
 额定功率: 20W/30W/40W/50W  
 防爆标志: ExdIICT4/T6  
 防护等级: IP66  
 防腐等级: WF2  
 功率因素: 0.95  
 尺寸: 200 × 140mm  
 重量: 2.8Kg  
 安装高度: 不同功率可在 2.5 米 - 15 米高度进行安装  
 安装方式: U 形自调角度壁式安装、马路式、吸顶式  
 引入装置: G3/4 引入口规格，合适 φ10mm - φ14mm 电缆  
 执行标准: GB3836.1、GB3836.2、IEC60079-0、IEC60079-1、EN60079-0、EN60079-1

Working voltage	AC/DC220V ± 25% 50Hz
Rated power	20W/30W/40W/50W
Ex-mark	ExdIICT4/T6
Protection grade	IP66
Anticorrosion grade	WF2
Power factor	0.95
Dimension	200 × 140mm
Weight	2.8Kg
Installation height	Different powers can be installed at altitudes of 2.5-15 meters.
Installation mode	U-shaped self-adjusting angle wall type installation, road type, suction top type
Lead-in device	G3/4 inlet specification, suitable for cable of 10mm-14mm
Executive standard	GB3836.1, GB3836.2, IEC60079-0, IEC60079-1, EN60079-0, EN60079-1

## 外形尺寸及安装方式 Shape size and installation method





## 适用范围 Scope of application

1. 适用于爆炸性气体环境 1 区、2 区；
  2. 适用于 IIA、IIB、IIC 级爆炸性气体环境；
  3. 适用于温度组别为 T1 ~ T6 的环境；
  4. 适用于石油采炼、储存、化工、医药、军工及军事设施等危险环境；
  5. 用作厂区或道路照明。
1. It is suitable for area 1 and 2 of explosive gas environment;  
2. Suitable for Class IIA, IIB, IIC explosive gas environment;  
3. Suitable for environment with temperature group T1 ~ T6;  
4. Suitable for petroleum refining, storage, chemical industry, medicine, military industry and military facilities equal Dangerous Environment;  
5. Used as factory or road lighting.

## 光学系统特点 Characteristics of optical system

1. 优选进口芯片，具有优异的光通维持率及高光效。
  2. 采用表面贴装技术 (SMT)，大幅度提高导热性能。
  3. 采用最新科技纳米技术，比镀过的工程塑料提高光照度的 16.67%。
1. Optimize the imported chips, which have excellent optical maintenance rate and high optical efficiency.  
2. Surface mounting technology (SMT) is adopted to improve the thermal conductivity greatly.  
3. Using the latest technology and nanotechnology, the illumination is 16.67% higher than that of coated engineering plastics.

## 驱动系统特点 Driving System Characteristics

1. 采用恒流驱动，具有短路、过压保护功能。
  2. 可做一体式应急功能，安装方便，简单。可启动应急降功率功能，在无人环境下应急更节能，提高了消防安全功能。
  3. 优异的兼容性，不会对其它电器造成干扰，可使电压容差 25% 波动。
  4. 驱动采用胶封工艺，确保元器件进行散热及不受腐蚀。
1. Constant current drive with short circuit and over voltage protection function.  
2. It can be used as an integrated emergency response function. It is easy to install and simple. It can start emergency power reduction function, save energy and improve emergency response in unmanned environment. Fire safety function.  
3. Excellent compatibility will not interfere with other electrical appliances, and can make the voltage tolerance fluctuate by 25%.  
4. Sealing technology is used to ensure that components are heat-dissipating and not corroded.

## 整灯结构特点 Structural characteristics of the whole lamp

1. 标准散热结构，接线腔、电源腔、光源腔都独立进行散热，互不影响。
  2. 外露紧固件及其附件采用 304 不锈钢，防腐性能更强。
  3. 采用一体式应急，无需另配电器箱，方便安装及维修。
  4. 安装方式可选用吸顶式、吊杆式、支架式。
1. Standard heat dissipation structure, wiring chamber, Power supply chamber and light source chamber all conduct heat dissipation independently without affecting each other.  
2. Exposed fasteners and accessories adopt 304 stainless steel, which has stronger anti-corrosion performance.  
3. It is easy to install and maintain by adopting an integrated emergency response without the need for another distribution box.  
4. Suction top type, suspender type and bracket type can be selected for installation.

## 配用光源 Light source

型号 Type	光源 Light Source	额定功率 (W) Rated Power	光通量 (lm) Luminous Flux	平均使用寿命 (h) Average Service Life
YDFB-8125	LED	30	4400	50000
YDFB-8125	LED	40	5500	50000
YDFB-8125	LED	50	6600	50000
YDFB-8125	LED	60	7700	50000
YDFB-8125	LED	70	8800	50000
YDFB-8125	LED	80	11000	50000
YDFB-8125	LED	100	13200	50000
YDFB-8125	LED	120	13200	50000
YDFB-8125	LED	150	16500	50000

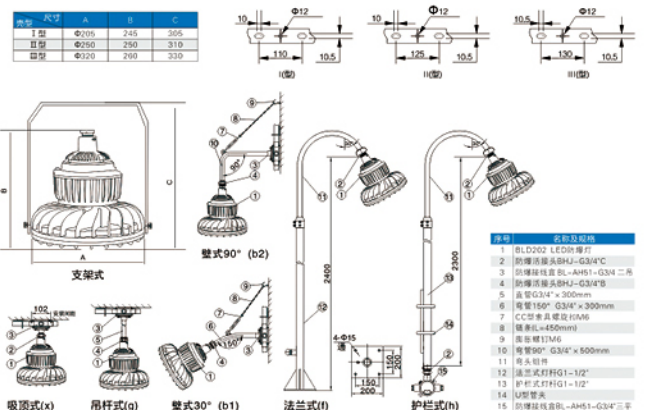


# YDFB-8125

## 主要技术参数 Main technical parameters

Working voltage	AC/DC220V ± 25% 50HZ
Rated power	30W/40W/50W/60W/70W/80W/100W/120W/150W
Ex-mark	ExdIICT4/T6
Protection grade	IP66
Anticorrosion grade	WF2
Power factor	0.95
Dimension	205 × 230/250 × 230/320 × 260mm
Weight	4.1/5.5/8.6Kg
Installation height	Different powers can be installed at altitudes of 2.5-15 meters.
Installation mode	U-shaped self-adjusting angle wall mounting, road mounting and ceiling mounting
Lead-in device	G3/4 inlet specification, suitable for cable of 10mm-14mm
Executive standard	GB3836.1, GB3836.2, IEC60079-0, IEC60079-1, EN60079-0, EN60079-1

## 外形尺寸及安装方式 Shape size and installation method







## 适用范围 Scope of application

1. 适用于爆炸性气体环境 1 区、2 区；
2. 适用于可燃性粉尘环境 21 区、22 区；
3. 适用于 II A、II B、II C 级爆炸性气体环境；
4. 适用于温度级别为 T1-T6 的环境；
5. 广泛适用于石油开采、炼油、化工、电力、军工等危险环境及海洋石油平台爆炸性气体环境。

## 光学系统特点 Characteristics of optical system

1. 选用品牌 LED 光源，光效高、显色性高、光衰小、能耗低、无闪烁，超长使用寿命，免维护，无需后续使用成本；
2. 光源采用 CREE 品牌，光斑无暗区，同比金卤灯节能 60% 以上。

1. Select brand LED light source with high light efficiency, high color rendering, low light decay, low energy consumption, no flicker, long service life, maintenance-free, no subsequent use costs;
2. The light source adopts CREE brand, and the spot has no dark area. It saves more than 60% energy compared with the metal halide lamp.

# YDFB—防爆荧光灯

## 产品特点 Product features

1. 电源外壳采用铝合金高压压铸成型，表面高压静电喷塑；
2. 高纯铝型材光源腔外壳，表面氧化处理，导热性能好，防腐性能好，不容易粘附油污；
3. 采用高质量 LED 光源，比荧光灯节能 50% 以上；
4. 专业精确配光设计，最大化提高光线一次反射率，从而使灯具效率大大提高；
5. 配置高效 LED 电子驱动，可靠性更高，寿命更长；
6. 优良散热结构设计，提高灯具整体可靠性和寿命，降低维护成本；
7. 优质 PC 材料透明罩，光扩散技术，配光合理，有效避免了眩光，使光线更加均匀柔和；
8. 特制的恒流恒压电源，宽电压输入，恒功率输入，恒功率输出，具有分流、恒流、开路、短路等保护功能；
9. 外露紧固件均采用高防腐性能的不锈钢材质；
10. 可配装一体式应急，当供电电源断电时，灯具自动切换到应急照明状态；
11. 电缆布线，钢管布线请注明。

1. The Power supply shell is made of aluminum alloy with high-pressure die-casting and high-pressure electrostatic spraying on the surface;
2. high purity aluminum profile light source cavity shell, surface oxidation treatment, good thermal conductivity, good anti-corrosion performance, not easy to adhere to oil;
3. Adopt high quality LED light source, saving more than 50% energy than fluorescent lamp;
4. Professional and accurate light distribution design, to maximize the primary reflectivity of light, so as to greatly improve the efficiency of lamps;
5. Equipped with efficient LED electronic drive, higher reliability and longer life;
6. excellent heat dissipation structure design, improve the overall reliability and life of lamps, reduce the maintenance cost;
7. High quality PC transparent cover, light diffusion technology, reasonable light distribution, effectively avoid glare, make the light more uniform and soft;
8. Special constant-current constant-voltage Power supply, wide voltage input, constant power input, constant power output, with shunt, constant-current, open circuit, short circuit and other protection functions;
9. Exposed fasteners are made of stainless steel with high anti-corrosion performance;
10. It can be equipped with an all-in-one emergency system. When the Power supply is cut off, the lamp will automatically switch to the emergency lighting state.
11. Please specify cable wiring and steel pipe wiring.

## 适用范围 Scope of application

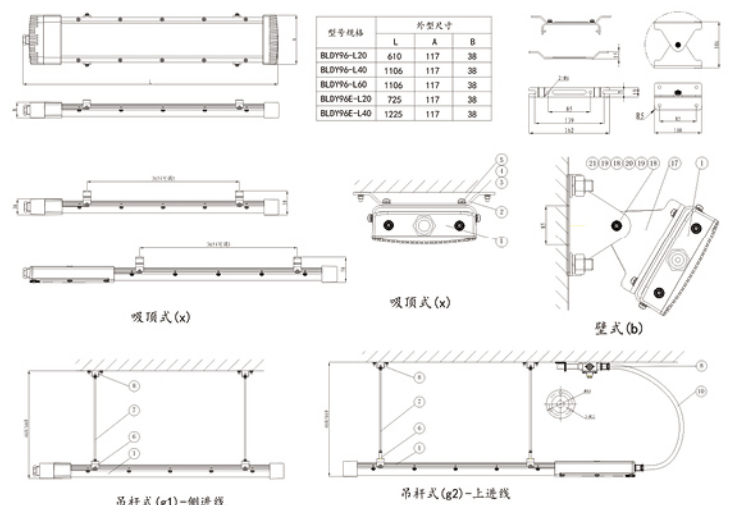
广泛用于石油开采、化工工业、冶金工业、变电站、码头、加油站等潮湿、防护要求较高，含有腐蚀爆炸性气体以及非导电性《尘》的场所。  
适用于 IIA、IIB、IIC 类爆炸性气体混合物，温度组别 T5-T6 的 1 区和 2 区场所。

Widely used in petroleum exploitation, chemical industry, metallurgical industry, substation, wharf, refueling stations and other humid, high protection requirements, containing corrosive explosive gases and non-conductive. A place of dust. Applicable to Class IIA, IIB, IIC explosive gas mixture, temperature group T5-T6 1 Zone Area 2.

## 配用光源 Light source

型号 Type	光源 Light Source	额定功率 (W) Rated Power	单灯尺寸 (mm) Single Lamp Size	单灯重量 (Kg) Single Light Weight
YDFB—防爆荧光灯	LED	20	610×117×38	1.6
YDFB—防爆荧光灯	LED	40	1106×117×38	2.4
YDFB—防爆荧光灯	LED	60	1106×117×38	2.5
YDFB—防爆荧光灯	LED	20/ 应急 10W	725×117×38	2.4
YDFB—防爆荧光灯	LED	40/ 应急 20W	1225×117×38	3.2

## 外形尺寸及安装方式 Shape size and installation method





## 适用范围 Scope of application

1. 适用于石油开采、炼油、化工、军工及海洋石油平台、邮轮等场所工作及场景照明；
2. 用作厂区或仓库照明：
  1. It is suitable for petroleum exploitation, refining, chemical industry, military industry and so on. Ocean oil platform, cruise and other places of work and scene lighting;
  2. It is used for lighting in factory or warehouse.

## 光学系统特点 Characteristics of optical system

1. 优选进口芯片，具有优异的光通维持率及高光效。
2. 采用表面贴装技术（SMT）、大幅度提高导热性能。
3. 采用最新科技纳米技术，比镀过的工程塑料提高光照度的16.67%。
  1. Optimize the imported chips, which have excellent optical maintenance rate and high optical efficiency.
  2. Surface mounting technology (SMT) is adopted to improve the thermal conductivity greatly.
  3. Using the latest technology and nanotechnology, the illumination is 16.67% higher than that of coated engineering plastics.



# YDFB-8117 防爆泛光灯

## 驱动系统特点 Driving system characteristics

1. 采用恒流驱动，具有短路、过压保护功能。
2. 可做一体式应急功能，安装方便，简单。可启动应急降功率功能，在无人环境下应急更节能，提高了消防安全功能。
3. 优异的兼容性，不会对其它电器造成干扰，可使电压容差 25% 波动。
4. 驱动采用胶封工艺，确保元器件进行散热及不受腐蚀。
  1. Constant current drive with short circuit and over voltage protection function.
  2. It can be used as an integrated emergency response function. It is easy to install and simple. It can start emergency power reduction function, save energy and improve fire safety function in unmanned environment.
  3. Excellent compatibility will not interfere with other electrical appliances, and can make the voltage tolerance fluctuate by 25%.
  4. Sealing technology is used to ensure that components are heat-dissipating and not corroded.

## 整灯结构特点 Structural characteristics of the whole lamp

1. 高纯铝型材壳体，表面氧化处理，导热性能好。
2. 特殊结构设计，使用 LED 光源工作产生的热量及时有效散发，保证光源性能。
3. 单向发光，光利用率高，灯具效率高。
4. 制的恒流恒压源，宽电压输入，恒功率输出，具有分流、恒流、开路、短路等保护功能。
5. 高功率因数，COSΦ>0.98。
6. 安装方式多种，另可根据用户要求定制：
  1. High purity aluminium profile shell, surface oxidation treatment, good thermal conductivity.
  2. Special structure design, using the heat generated by the working of LED light source to distribute in time and effectively to ensure the performance of the light source.
  3. Unidirectional luminescence, high utilization of light, high efficiency of lamps and lanterns.
  4. Constant current and constant voltage source, wide voltage input, constant power output, with shunt, constant current, open circuit, short circuit protection functions.
  5. High power factor, COSΦ > 0.98.
  6. There are many ways of installation, and it can be customized according to user's requirements

## 配用光源 Light source

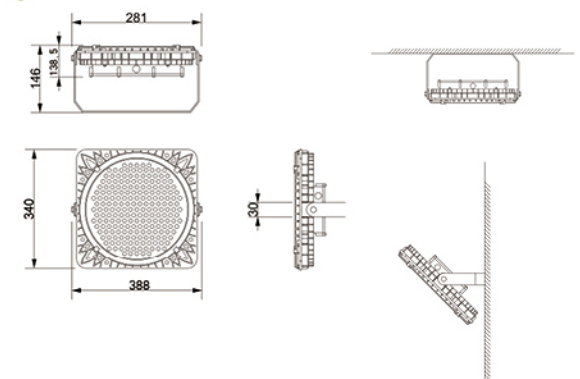
型号 Type	光源 Light Source	额定功率 (W) Rated Power	光通量 (lm) Luminous Flux	平均使用寿命 (h) Average Service Life
YDFB-8117	LED	100	11000	50000
YDFB-8117	LED	200	22000	50000
YDFB-8117	LED	400	44000	50000

## 主要技术参数 Main technical parameters

工作电压: AC/DC220V ± 25% 50HZ  
 额定功率: 100W/200W/400W  
 防爆标志: ExdIICT6/ExnRllIT6/DIPA20TA, T6  
 防护等级: IP65  
 防腐等级: WF2  
 功率因素: 0.97  
 尺寸: 388 × 340 × 138.5mm  
 重量: 10kg  
 安装高度: 不同功率可在 2.5 米 - 4 米高度进行安装  
 安装方式: 吸顶式、法兰式、护栏式  
 引入装置: G3/4 引入口规格，合适 φ 10mm - φ 14mm 电缆  
 执行标准: GB3836.1、GB3836.2、IEC60079-0、IEC60079-1、EN60079-0、EN60079-1

Working voltage	AC/DC220V ± 25% 50HZ
Rated power	100W/200W/400W
Ex-mark	ExdIICT6/ExnRllIT6/DIPA20TA, T6
Protection grade	IP66
Anticorrosion grade	WF2
Power factor	0.97
Dimension	388 × 340 × 138.5mm
Weight	10kg
Installation height	Different powers can be installed at altitudes of 2.5-4 meters.
Installation mode	Suction top type, flange type, guardrail type
Lead-in device	G3/4 inlet specification, suitable for cable of 10mm-14mm
Executive standard	GB3836.1, GB3836.2, IEC60079-0, IEC60079-1, EN60079-0, EN60079-1

## 外形尺寸及安装方式 Shape size and installation method





### 适用范围 Scope of application

1. 适用于石油开采、炼油、化工、军工及海洋石油平台、邮轮等场所工作及场景照明；
  2. 用作厂区或仓库照明；
1. It is suitable for petroleum exploitation, refining, chemical industry, military industry and so on, Ocean oil platform, cruise and other places of work and scene lighting;
2. It is used for lighting in factory or warehouse.

### 光学系统特点 Characteristics of optical system

1. 优选进口芯片，具有优异的光通维持率及高光效。
  2. 采用表面贴装技术（SMT），大幅度提高导热性能。
  3. 采用最新科技纳米技术，电镀过的工程塑料提高光照度的16.67%。
1. Optimize the imported chips, which have excellent optical maintenance rate and high optical efficiency.
2. Surface mounting technology (SMT) is adopted to improve the thermal conductivity greatly.
3. Using the latest technology and nanotechnology, the illumination is 16.67% higher than that of coated engineering plastics.

## YDFB-8125 防爆平台灯

### 驱动系统特点 Driving system characteristics

1. 采用恒流驱动，具有短路、过压保护功能。
  2. 可做一体式应急功能，安装方便，简单。可启动应急降功率功能，在无人环境下应急更节能，提高了消防安全功能。
  3. 优异的兼容性，不会对其它电器造成干扰，可使电压容差25%波动。
  4. 驱动采用胶封工艺，确保元器件进行散热及不受腐蚀。
1. Constant current drive with short circuit and over voltage protection function.
2. It can be used as an integrated emergency response function. It is easy to install and simple. It can start emergency power reduction function, save energy and improve fire safety function in unmanned environment.
3. Excellent compatibility will not interfere with other electrical appliances, and can make the voltage tolerance fluctuate by 25%.
4. Sealing technology is used to ensure that components are heat-dissipating and not corroded.

### 整灯结构特点 Structural characteristics of the whole lamp

1. 高纯铝型材壳体，表面氧化处理，导热性能好。
  2. 特殊结构设计，使用LED光源工作产生的热量及时有效散发，保证光源性能。
  3. 单向发光，光利用率高，灯具效率高。
  4. 制的恒流恒压源，宽电压输入，恒功率输出，具有分流、恒流、开路、短路等保护功能。
  5. 高功率因数，COS $\phi$ >0.98。
  6. 安装方式多种，另可根据用户要求定制。
1. High purity aluminium profile shell, surface oxidation treatment, good thermal conductivity.
2. Special structure design, using the heat generated by the working of LED light source to distribute in time and effectively to ensure the performance of the light source.
3. Unidirectional luminescence, high utilization of light, high efficiency of lamps and lanterns.
4. Constant current and constant voltage source, wide voltage input, constant power output, with shunt, constant current, open circuit, short circuit protection functions.
5. High power factor, COS $\phi$  > 0.98.
6. There are many ways of installation, and it can be customized according to user's requirements.

### 配用光源 Light source

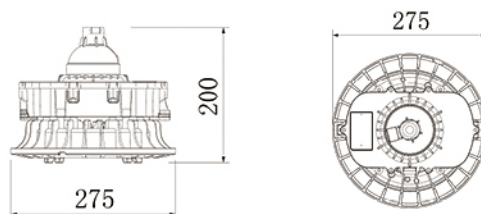
型号 Type	光源 Light Source	额定功率 (W) Rated Power	光通量 (lm) Luminous Flux	平均使用寿命 (h) Average Service Life
YDFB-8125	LED	50	5500	50000
YDFB-8125	LED	100	11000	50000
YDFB-8125	LED	120	13200	50000

### 主要技术参数 Main technical parameters

工作电压: AC/DC220V $\pm$ 25%50HZ  
 额定功率: 50W/100W/120W  
 防爆标志: ExdIICT6/ExnRIIT6/DIPA20TA, T6  
 防护等级: IP65  
 防腐等级: WF2  
 功率因素: 0.97  
 尺寸: 275 $\times$ 275 $\times$ 200mm  
 重量: 5.2kg  
 安装高度: 不同功率可在2.5米-4米高度进行安装  
 安装方式: 吸顶式、法兰式、护栏式  
 引入装置: G3/4引入规格，合适 $\phi$ 10mm- $\phi$ 14mm电缆  
 执行标准: GB3836.1、GB3836.2、IEC60079-0、IEC60079-1、EN60079-0、EN60079-1

Working voltage	AC/DC220V $\pm$ 25%50HZ
Rated power	50W/100W/120W
Ex-mark	ExdIICT6/ExnRIIT6/DIPA20TA, T6
Protection grade	IP66
Anticorrosion grade	WF2
Power factor	0.97
Dimension	275 $\times$ 275 $\times$ 200mm
Weight	5.2kg
Installation height	Different powers can be installed at altitudes of 2.5-4 meters.
Installation mode	Suction top type, flange type, guardrail type
Lead-in device	G3/4 inlet specification, suitable for cable of 10mm-14mm
Executive standard	GB3836.1, GB3836.2, IEC60079-0, IEC60079-1 EN60079-0, EN60079-1

### 外形尺寸及安装方式 Shape size and installation method





## 适用范围 Scope of application

1. 适用于石油开采、炼油、化工、军工及海洋石油平台、邮轮等场所工作及场景照明；
2. 用作厂区或仓库照明：
  1. It is suitable for petroleum exploitation, refining, chemical industry, military industry and so on, Ocean oil platform, cruise and other places of work and scene lighting;
  2. It is used for lighting in factory or warehouse.

## 光学系统特点 Characteristics of optical system

1. 优选进口芯片，具有优异的光通维持率及高光效。
2. 采用表面贴装技术（SMT）、大幅度提高导热性能。
3. 采用最新科技纳米技术，比镀过的工程塑料提高光照度的16.67%。
  1. Optimize the imported chips, which have excellent optical maintenance rate and high optical efficiency.
  2. Surface mounting technology (SMT) is adopted to improve the thermal conductivity greatly.
  3. Using the latest technology and nanotechnology, the illumination is 16.67% higher than that of coated engineering plastics.



# YDFB-8116

## 驱动系统特点 Driving system characteristics

1. 采用恒流驱动，具有短路、过压保护功能。
2. 可做一体式应急功能，安装方便，简单。可启动应急降功率功能，在无人环境下应急更节能，提高了消防安全功能。
3. 优异的兼容性，不会对其它电器造成干扰，可使电压容差25%波动。
4. 驱动采用胶封工艺，确保元器件进行散热及不受腐蚀。
  1. Constant current drive with short circuit and over voltage protection function.
  2. It can be used as an integrated emergency response function. It is easy to install and simple. It can start emergency power reduction function, save energy and improve fire safety function in unmanned environment.
  3. Excellent compatibility will not interfere with other electrical appliances, and can make the voltage tolerance fluctuate by 25%.
  4. Sealing technology is used to ensure that components are heat-dissipating and not corroded.

## 整灯结构特点 Structural characteristics of the whole lamp

1. 高纯铝型材壳体，表面氧化处理，导热性能好。
2. 特殊结构设计，使用LED光源工作产生的热量及时有效散发，保证光源性能。
3. 单向发光，光利用率高，灯具效率高。
4. 制的恒流恒压源，宽电压输入，恒功率输出，具有分流、恒流、开路、短路等保护功能。
5. 高功率因数，COSΦ>0.98。
6. 安装方式多种，另可根据用户要求定制：
  1. High purity aluminium profile shell, surface oxidation treatment, good thermal conductivity.
  2. Special structure design, using the heat generated by the working of LED light source to distribute in time and effectively to ensure the performance of the light source.
  3. Unidirectional luminescence, high utilization of light, high efficiency of lamps and lanterns.
  4. Constant current and constant voltage source, wide voltage input, constant power output, with shunt, constant current, open circuit, short circuit protection functions.
  5. High power factor, COSΦ > 0.98.
  6. There are many ways of installation, and it can be customized according to user's requirements

## 主要技术参数 Main technical parameters

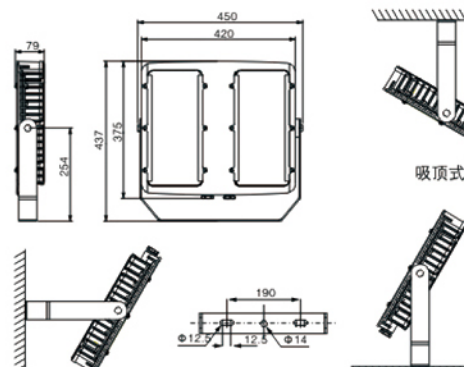
工作电压: AC/DC220V±25%50HZ  
 额定功率: 200W/300W/400W  
 防爆标志: ExdIICT6/ExnRIIT6/DIPA20TA, T6  
 防护等级: IP65  
 防腐等级: WF2  
 功率因素: 0.97  
 尺寸: 435×428×77mm  
 重量: 11Kg  
 安装高度: 不同功率可在2.5米-4米高度进行安装  
 安装方式: 吸顶式、法兰式、护栏式  
 引入装置: G3/4引入口规格，合适φ10mm-φ14mm电缆  
 执行标准: GB3836.1、GB3836.2、IEC60079-0、IEC60079-1、EN60079-0、EN60079-1

Working voltage	AC/DC220V±25%50HZ
Rated power	200W/300W/400W
Ex-mark	ExdIICT6/ExnRIIT6/DIPA20TA, T6
Protection grade	IP65
Anticorrosion grade	WF2
Power factor	0.97
Dimension	435×428×77mm
Weight	11Kg
Installation height	Different powers can be installed at altitudes of 2.5-4 meters.
Installation mode	Suction top type, flange type, guardrail type
Lead-in device	G3/4 inlet specification, suitable for cable of 10mm-14mm
Executive standard	GB3836.1, GB3836.2, IEC60079-0, IEC60079-1, EN60079-0, EN60079-1

## 配用光源 Light source

型号 Type	光源 Light Source	额定功率 (W) Rated Power	光通量 (lm) Luminous Flux	平均使用寿命 (h) Average Aervice Life
YDFB-8116	LED	200	22000	50000
YDFB-8116	LED	300	33000	50000
YDFB-8116	LED	400	44000	50000

## 外形尺寸及安装方式 Shape size and installation method





### 适用范围 Scope of application

1. 适用于石油开采、炼油、化工、军工及海洋石油平台、邮轮等场所工作及场景照明；
  2. 用作厂区或仓库照明；
1. It is suitable for petroleum exploitation, refining, chemical industry, military industry and so on, Ocean oil platform, cruise and other places of work and scene lighting;
2. It is used for lighting in factory or warehouse.

### 光学系统特点 Characteristics of optical system

1. 优选进口芯片，具有优异的光通维持率及高光效。
  2. 采用表面贴装技术（SMT），大幅度提高导热性能。
  3. 采用最新科技纳米技术，镀过的工程塑料提高光照度的16.67%。
1. Optimize the imported chips, which have excellent optical maintenance rate and high optical efficiency.
2. Surface mounting technology (SMT) is adopted to improve the thermal conductivity greatly.
3. Using the latest technology and nanotechnology, the illumination is 16.67% higher than that of coated engineering plastics.

## YDFB—防爆巷道灯

### 驱动系统特点 Driving system characteristics

1. 采用恒流驱动，具有短路、过压保护功能。
  2. 可做一体式应急功能，安装方便，简单。可启动应急降功率功能，在无人环境下应急更节能，提高了消防安全功能。
  3. 优异的兼容性，不会对其它电器造成干扰，可使电压容差25%波动。
  4. 驱动采用胶封工艺，确保元器件进行散热及不受腐蚀。
1. Constant current drive with short circuit and over voltage protection function.
2. It can be used as an integrated emergency response function. It is easy to install and simple. It can start emergency power reduction function, save energy and improve fire safety function in unmanned environment.
3. Excellent compatibility will not interfere with other electrical appliances, and can make the voltage tolerance fluctuate by 25%.
4. Sealing technology is used to ensure that components are heat-dissipating and not corroded.

### 整灯结构特点 Structural characteristics of the whole lamp

1. 高纯铝型材壳体，表面氧化处理，导热性能好。
  2. 特殊结构设计，使用LED光源工作产生的热量及时有效散发，保证光源性能。
  3. 单向发光，光利用率高，灯具效率高。
  4. 制的恒流恒压源，宽电压输入，恒功率输出，具有分流、恒流、开路、短路等保护功能。
  5. 高功率因数，COS $\phi$ >0.98。
  6. 安装方式多种，另可根据用户要求定制。
1. High purity aluminium profile shell, surface oxidation treatment, good thermal conductivity.
2. Special structure design, using the heat generated by the working of LED light source to distribute in time and effectively to ensure the performance of the light source.
3. Unidirectional luminescence, high utilization of light, high efficiency of lamps and lanterns.
4. Constant current and constant voltage source, wide voltage input, constant power output, with shunt, constant current, open circuit, short circuit protection functions.
5. High power factor, COS $\phi$  > 0.98.
6. There are many ways of installation, and it can be customized according to user's requirements.

### 配用光源 Light source

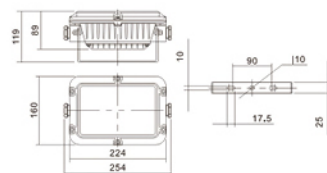
型号 Type	光源 Light Source	额定功率 (W) Rated Power	光通量 (lm) Luminous Flux	平均使用寿命 (h) Average Service Life
YDFB—防爆巷道灯	LED	20	2200	50000
YDFB—防爆巷道灯	LED	40	4400	50000
YDFB—防爆巷道灯	LED	50	5500	50000

### 主要技术参数 Main technical parameters

工作电压: AC/DC220V $\pm$ 25%50HZ  
 额定功率: 20W/40W/50W  
 防爆标志: ExdIICT6/ExnRllT6/DIPA20TA、T6  
 防护等级: IP65  
 防腐等级: WF2  
 功率因素: 0.97  
 尺寸: 254 $\times$ 160 $\times$ 89mm  
 重量: 2.5kg  
 安装高度: 不同功率可在2.5米-4米高度进行安装  
 安装方式: 吸顶式、法兰式、护栏式  
 引入装置: G3/4引入规格，合适 $\phi$ 10mm- $\phi$ 14mm 电缆  
 执行标准: GB3836.1、GB3836.2、IEC60079-0、IEC60079-1、EN60079-0、EN60079-1

Working voltage	AC/DC220V $\pm$ 25%50HZ
Rated power	20W/40W/50W
Ex-mark	ExdIICT6/ExnRllT6/DIPA20TA、T6
Protection grade	IP65
Anticorrosion grade	WF2
Power factor	0.97
Dimension	254 $\times$ 160 $\times$ 89mm
Weight	2.5kg
Installation height	Different powers can be installed at altitudes of 2.5-4 meters.
Installation mode	Suction top type, flange type, guardrail type
Lead-in device	G3/4 inlet specification, suitable for cable of 10mm-14mm
Executive standard	GB3836.1, GB3836.2, IEC60079-0, IEC60079-1 EN60079-0, EN60079-1

### 外形尺寸及安装方式 Shape size and installation method





## 适用范围 Scope of application

1. 适用于石油开采、炼油、化工、军工及海洋石油平台、邮轮等场所工作及场景照明；
  2. 用作厂区或仓库照明；
1. It is suitable for petroleum exploitation, refining, chemical industry, military industry and so on. Ocean oil platform, cruise and other places of work and scene lighting.
2. It is used for lighting in factory or warehouse.

## 光学系统特点 Characteristics of optical system

1. 优选进口芯片，具有优异的光通维持率及高光效。
  2. 采用表面贴装技术（SMT）、大幅度提高导热性能。
  3. 采用最新科技纳米技术，比镀过的工程塑料提高光照度的16.67%。
1. Optimize the imported chips, which have excellent optical maintenance rate and high optical efficiency.
2. Surface mounting technology (SMT) is adopted to improve the thermal conductivity greatly.
3. Using the latest technology and nanotechnology, the illumination is 16.67% higher than that of coated engineering plastics.

## 驱动系统特点 Driving system characteristics

1. 采用恒流驱动，具有短路、过压保护功能。
  2. 可做一体式应急功能，安装方便，简单。可启动应急降功率功能，在无人环境下应急更节能，提高了消防安全功能。
  3. 优异的兼容性，不会对其它电器造成干扰，可使电压容差25%波动。
  4. 驱动采用胶封工艺，确保元器件进行散热及不受腐蚀。
1. Constant current drive with short circuit and over voltage protection function.
2. It can be used as an integrated emergency response function. It is easy to install and simple. It can start emergency power reduction function, save energy and improve fire safety function in unmanned environment.
3. Excellent compatibility will not interfere with other electrical appliances, and can make the voltage tolerance fluctuate by 25%.
4. Sealing technology is used to ensure that components are heat-dissipating and not corroded.

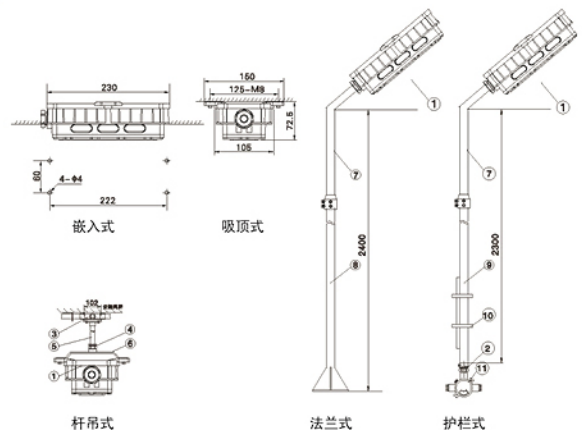
## 整灯结构特点 Structural characteristics of the whole lamp

1. 高纯铝型材壳体，表面氧化处理，导热性能好。
  2. 特殊结构设计，使用LED光源工作产生的热量及时有效散发，保证光源性能。
  3. 单向发光，光利用率高，灯具效率高。
  4. 制的恒流恒压源，宽电压输入，恒功率输出，具有分流、恒流、开路、短路等保护功能。
  5. 高功率因数，COSΦ>0.98。
  6. 安装方式多种，另可根据用户要求定制；
1. High purity aluminium profile shell, surface oxidation treatment, good thermal conductivity.
2. Special structure design, using the heat generated by the working of LED light source to distribute in time and effectively to ensure the performance of the light source.
3. Unidirectional luminescence, high utilization of light, high efficiency of lamps and lanterns.
4. Constant current and constant voltage source, wide voltage input, constant power output, with shunt, constant current, open circuit, short circuit protection functions.
5. High power factor, COSΦ > 0.98.
6. There are many ways of installation, and it can be customized according to user's requirements.

## 配用光源 Light source

型号 Type	光源 Light Source	额定功率 (W) Rated Power	光通量 (lm) Luminous Flux	平均使用寿命 (h) Average Service Life
YDFB-8185	LED	20	2200	50000
YDFB-8185	LED	30	3300	50000
YDFB-8185	LED	50	5500	50000

## 外形尺寸及安装方式 Shape size and installation method

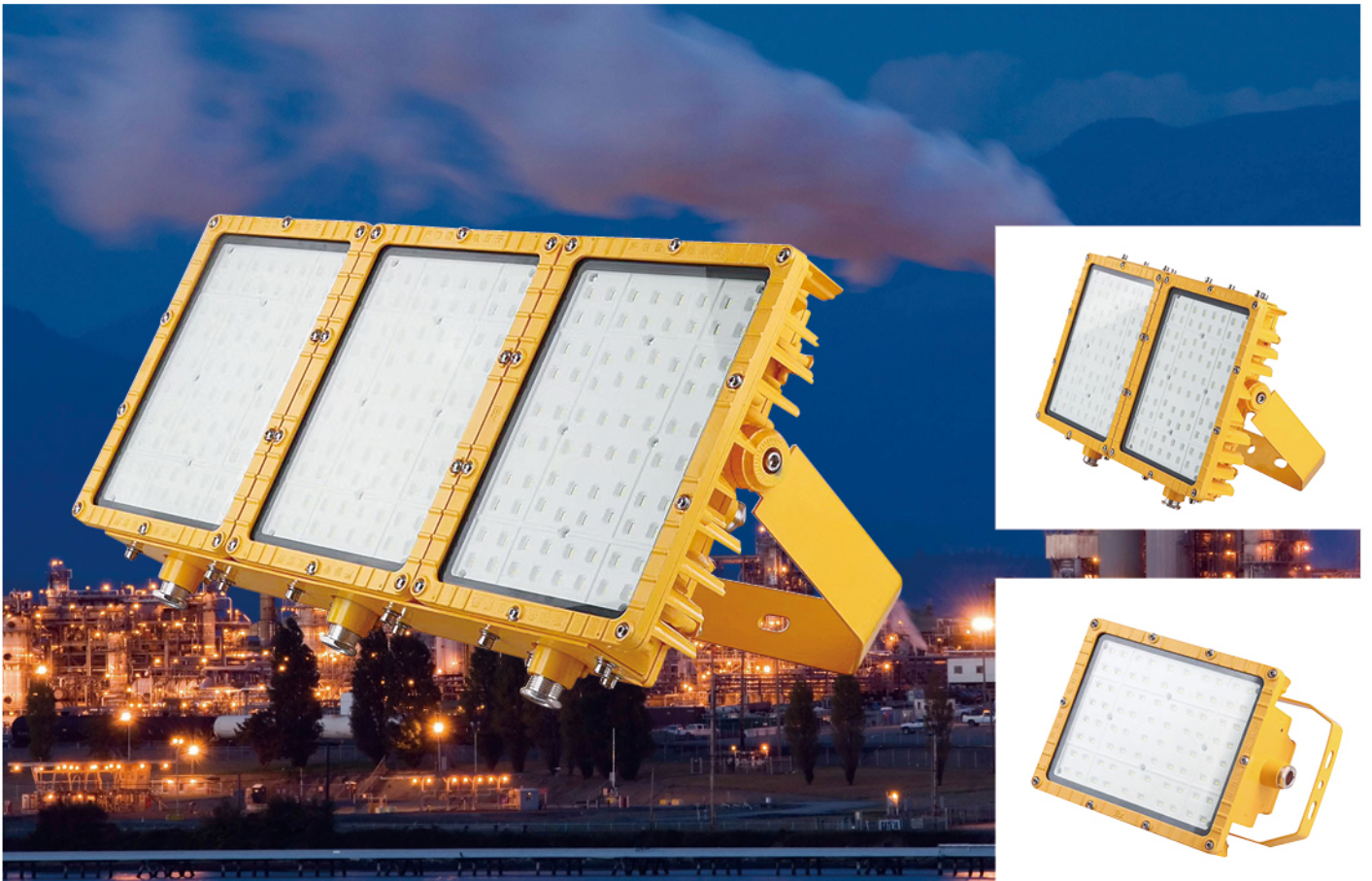


# YDFB-8185 防爆巷道灯

## 主要技术参数 Main technical parameters

工作电压: AC220V, AC/DC24V, AC/DC36V  
 额定功率: 15W/25W/35W  
 防爆标志: ExnRlIC T6 Gc/Ex tD A21  
 防护等级: IP65  
 防腐等级: WF2  
 功率因素: ≥ 0.95  
 尺寸: 230 × 150 × 72.5mm  
 重量: 1.5kg/1.5kg/1.6kg  
 安装高度: 不同功率可在 2.5 米 - 4 米高度进行安装  
 安装方式: 吸顶式、杆吊式、嵌入式、法兰式、护栏式  
 引入装置: G3/4 引入口规格，合适 φ10mm-φ14mm 电缆  
 执行标准: GB3836 (等效于 IEC60079, EN 系列标准) / GB12476 (等效于 IEC61241, EN 系列标准)

Working voltage	AC220V, AC/DC24V, AC/DC36V
Rated power	15W/25W/35W
Ex-mark	ExnRlIC T6 Gc/Ex tD A21
Protection grade	IP65
Anticorrosion grade	WF2
Power factor	≥ 0.95
Dimension	230 × 150 × 72.5mm
Weight	1.5kg/1.5kg/1.6kg
Installation height	Different powers can be installed at altitudes of 2.5-4 meters.
Installation mode	Ceiling type, pole hanging type, embedded type, flange type, guardrail type
Lead-in device	G3/4 inlet specification, suitable for cable of 10mm-14mm
Executive standard	GB3836 (equivalent to IEC60079, EN series standard) / GB12476 (equivalent to IEC61241, EN series standard)



## YDFB-8115 防爆泛光灯

### 灯体 Lamp body

1. 采用无铜压铸铝合金外壳，表面喷涂聚酯粉末，具有良好的耐高温、耐腐蚀性。

2. 钢化玻璃灯罩具有良好的投光性能。

1. The copper-free die-casting aluminium alloy shell with polyester powder sprayed on the surface has good resistance to high temperature and corrosion resistance.

2. Toughened glass lampshade has good light-casting performance.

### 光源 Light source

可选不同色温的 LED 光源。

高显色指数 CRI285。

光源寿命 >50000 小时。

光源腔采用密封技术以确保发热源隔绝爆炸性气体。

LED light source with different color temperature can be selected.

High chromogenic index CRI285.

Lighting source life > 50000 hours.

The light source chamber adopts sealing technology to ensure that the heat source isolates explosive gases.

### 配用光源 Light source

型号 Type	光源 Light Source	额定功率 (W) Rated Power	光通量 (lm) Luminous Flux	平均使用寿命 (h) Average Service Life
YDFB-8115	LED	100	11000	50000
YDFB-8115	LED	150	16500	50000
YDFB-8115	LED	300	33000	50000
YDFB-8115	LED	450	49500	50000

### 适用范围 Scope of application

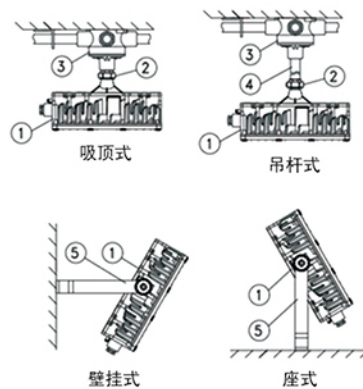
广泛用于石油开采、化工工业、冶金工业、变电站、码头、加油站等潮湿、防护要求较高、含有腐蚀爆炸性气体以及非导电性》尘的场所。

适用于 IIA、IIB、IIC 类爆炸性气体混合体，温度组别 T5-T6 的 1 区和 2 区场所。

Widely used in petroleum exploitation, chemical industry, metallurgical industry, substation, wharf, refueling Stations and other humid, high protection requirements, containing corrosive explosive gases and non-conductive, A place of dust.

Applicable to Class IIA, IIB, IIC explosive gas mixture, temperature group T5-T6 1 Zone Area 2.

### 外形尺寸及安装方式 Shape size and installation method







## YDFB-8118 防爆路灯

### 灯体 Lamp body

1. 采用无铜压铸铝合金外壳，表面喷涂聚酯粉末，具有良好的耐高温、耐腐蚀性。
2. 钢化玻璃灯罩具有良好的投光性能。

1. The copper-free die-casting aluminium alloy shell with polyester powder sprayed on the surface has good resistance to high temperature, temperature and corrosion resistance.

2. Toughened glass lampshade has good light-casting performance.

### 光源 Light source

可选不同色温的 LED 光源。  
高显色指数 CRI285。  
光源寿命 >50000 小时。  
光源腔采用密封技术以确保发热源隔绝爆炸性气体。

LED light source with different color temperature can be selected.  
High chromogenic index CRI285.  
Lighting source life > 50000 hours.  
The light source chamber adopts sealing technology to ensure that the heat source isolates explosive gases.

### 配用光源 Light source

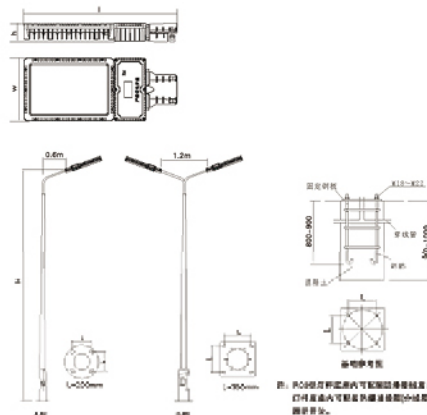
型号 Type	光源 Light Source	额定功率 (W) Rated Power	光通量 (lm) Luminous Flux	平均使用寿命 (h) Average Service Life
YDFB-8118	LED	100	11000	50000
YDFB-8118	LED	150	16500	50000
YDFB-8118	LED	200	22000	50000
YDFB-8118	LED	240	26400	50000

### 适用范围 Scope of application

广泛用于石油开采、化工工业、冶金工业、变电站、码头、加油站等潮湿、防护要求较高、含有腐蚀爆炸性气体以及非导电性《尘》的场所。  
适用于 IIA、IIB、IIC 类爆炸性气体混合物，温度组别 T5-T6 的 1 区和 2 区场所。

Widely used in petroleum exploitation, chemical industry, metallurgical industry, substation, wharf, refueling Stations and other humid, high protection requirements, containing corrosive explosive gases and non-conductive.  
Applicable to Class IIA, IIB, IIC explosive gas mixture, temperature group T5-T6 1 Zone Area 2.

### 外形尺寸及安装方式 Shape size and installation method





## YDFB-97 防爆泛光（投光）灯

### 灯体 Lamp body

1. 采用无铜压铸铝合金外壳，表面喷涂聚酯粉末，具有良好的耐高温、耐腐蚀性。
2. 钢化玻璃灯罩具有良好的投光性能。

1. The copper-free die-casting aluminium alloy shell with polyester powder sprayed on the surface has good resistance to high temperature, temperature and corrosion resistance.

2. Toughened glass lampshade has good light-casting performance.

### 光源 Light source

- 可选不同色温的 LED 光源。
- 高显色指数 CRI285。
- 光源寿命 >50000 小时。
- 光源腔采用密封技术以确保发热源隔绝爆炸性气体。

LED light source with different color temperature can be selected.

High chromogenic index CRI285.

Lighting source life > 50000 hours.

The light source chamber adopts sealing technology to ensure that the heat source isolates explosive gases.

### 电源 Power supply

- 绝缘等级：I
- 防护：OPP/OVP/SCP/OTP.
- 宽压输入：90-265V.
- 内置有效功率因数：>0.96, THD<15%.
- 浪涌保护：10KV/6KV/4KV.
- 电源腔采用浇封技术以确保发热源隔绝爆炸性气体。

Insulation Class: I

Protection: OPP/OVP/SCP/OTP.

Wide-voltage input: 90-265V.

Built-in effective power factor: > 0.96, THD < 15%.

Surge protection: 10KV/6KV/4KV.

The Power supply chamber is sealed by pouring technology to ensure that the heat source isolates explosive gases.

### 适用范围 Scope of application

- 广泛用于石油开采、化工工业、冶金工业、变电站、码头、加油站等潮湿、防护要求较高、含有腐蚀爆炸性气体以及非导电性《尘》的场所。
- 适用于 IIA、IIB、IIC 类爆炸性气体混合物，温度组别 T5-T6 的 1 区和 2 区场所。

Widely used in petroleum exploitation, chemical industry, metallurgical industry, substation, wharf, refueling stations and other humid, high protection requirements, containing corrosive explosive gases and non-conductive, a place of dust. Applicable to Class IIA, IIB, IIC explosive gas mixture, temperature group T5-T6 1 Zone Area 2.





## YDFB-97 防爆泛光（投光）灯

### 灯体 Lamp body

1. 采用无铜压铸铝合金外壳，表面喷涂聚酯粉末，具有良好的耐高温、耐腐蚀性。
  2. 钢化玻璃灯罩具有良好的投光性能。
1. The copper-free die-casting aluminium alloy shell with polyester powder sprayed on the surface has good resistance to high temperature, temperature and corrosion resistance.
2. Toughened glass lampshade has good light-casting performance.

### 电源 Power supply

绝缘等级：I  
 防护：OPP/OVP/SCP/OTP  
 宽压输入：90-265V  
 内置有效功率因数：>0.96, THD<15%  
 浪涌保护：10KV/6KV/4KV  
 电源腔采用浇封技术以确保发热源隔绝爆炸性气体。

Insulation Class: I  
 Protection: OPP/OVP/SCP/OTP  
 Wide-voltage input: 90-265V  
 Built-in effective power factor: > 0.96, THD < 15%  
 Surge protection: 10KV/6KV/4KV  
 The Power supply chamber is sealed by pouring technology to ensure that the heat source isolates explosive gases.

### 光源 Light source

可选不同色温的LED光源。  
 高显色指数CRI285。  
 光源寿命>50000小时。  
 光源腔采用密封技术以确保发热源隔绝爆炸性气体。

LED light source with different color temperature can be selected.  
 High chromogenic index CRI285.  
 Lighting source life > 50000 hours.  
 The light source chamber adopts sealing technology to ensure that the heat source isolates explosive gases.

### 适用范围 Scope of application

广泛用于石油开采、化工工业、冶金工业、变电站、码头、加油站等潮湿、防护要求较高、含有腐蚀爆炸性气体以及非导电性《尘》的场所。  
 适用于IIA、IIB、IIC类爆炸性气体混合物，温度组别T5-T6的1区和2区场所。

Widely used in petroleum exploitation, chemical industry, metallurgical industry, substation, wharf, refueling stations and other humid, high protection requirements, containing corrosive explosive gases and non-conductive, a place of dust.  
 Applicable to Class IIA, IIB, IIC explosive gas mixture, temperature group T5-T6 1 Zone Area 2.



### 性能参数 Performance parameters

额定电压 Rated voltage: 85–260V  
 适配光源 Suitable light source: LED  
 防护等级 Protection grade: IP65  
 防腐等级 Anticorrosion grade: WF2  
 引出电缆 Elicited cable: 30–50cm  
 重量 Weight: 4.3kg  
 包装尺寸 Package size: 22 × 22 × 34cm  
 安装高度 Installation height: 3–6m

### 适用场所 Suitable places

广泛用于各类厂区、车间、场站灯场所和大型设施、设备、装置等区域作固定照明。  
 It is widely used in various factories, workshops, station lights and large facilities, equipment, installations and other areas for fixed lighting.

## YD-9180(A) LED 平台灯

### 配用光源 Light source

型号 Type	光源 Light Source	额定功率 (W) Rated Power	光通量 (lm) Luminous Flux	平均使用寿命 (h) Average Aervice Life	色温色温 (K) Color Temperature
YD-9180 (A)	LED	40	4400	50000	3000–6500
YD-9180 (A)	LED	50	5500	50000	3000–6500
YD-9180 (A)	LED	60	6600	50000	3000–6500
YD-9180 (A)	LED	80	8800	50000	3000–6500

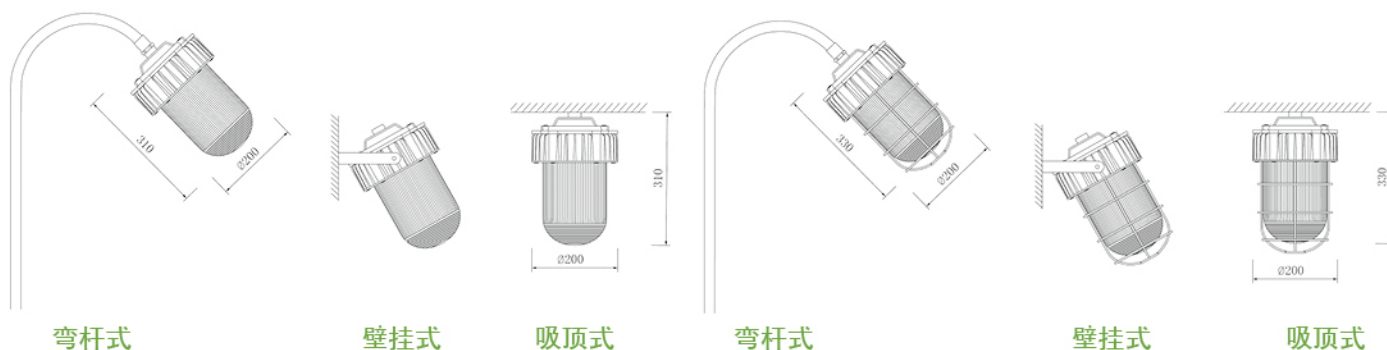
### 材质和特性

1. 精确的环照型配光设计, 可满足客户现场 360 度照明需要。
2. 灯具透明件采用防眩光设计, 配光均匀度高, 防眩光效果好, 提高照明舒适度。
3. 冷白、暖白两种配置可供选择, 适合不同场所的照明需求。
4. 采用国际品牌新一代 LED 光源, 光效高。
5. 驱动电路效率达到 0.95 以上, 更高效节能。
6. LED 光源寿命长达 50000 小时, 实现灯具光源免维护。
7. 驱动电路采用胶封设计, 防水、防潮、抗震效果好。
8. 优良散热结构设计, 提高光源的光效和寿命。
9. 从结构设计上满足防水要求, 整灯防护等级 IP65, 可在室内、室外各种场所可靠使用。
10. 整灯人性化设计, 重量轻, 方便安装维护。
11. 可满足弯杆式、壁挂式、吸顶式等多种安装方式。

### Material and characteristics

1. Accurate ring light distribution design which can meet customer's 360 degree lighting needs.
2. The transparent parts of lamps are designed with anti glare, the light distribution is high, the glare effect is good, and the lighting comfort is improved.
3. Two configurations of cold white and warm white are available for selection, which is suitable for the lighting requirements of different places.
4. Adopt the new generation of LED light source with high efficiency.
5. The efficiency of the drive circuit is over 0.95, more efficient and energy saving.
6. The source life of LED light up to 50000 hours, which realize the maintenance free of light source.
7. The driving circuit adopts glue seal design, waterproof, moisture-proof and anti-seismic effect is good.
8. Excellent heat dissipation structure design improved the light efficiency and the life of light source.
9. The structural design meets the requirements of waterproofing, and the overall lamp protection level is IP65, which can be used reliably in various indoor and outdoor locations.
10. Humanized design of whole lamp, light weight, convenient installation and maintenance.
11. It can satisfy curved lever, wall hanging type, ceiling type and other installation methods.

### 外形尺寸及安装方式 Shape size and installation method



弯杆式

壁挂式

吸顶式

弯杆式

壁挂式

吸顶式



## 性能参数 Performance parameters

额定电压 Rated voltage: 85–260V  
 适配光源 Suitable light source: LED  
 防护等级 Protection grade: IP65  
 防腐等级 Anticorrosion grade: WF2  
 引出电缆 Elicited cable: 30–50cm  
 重量 Weight: 4.3kg  
 包装尺寸 Package size: 22×22×34cm  
 安装高度 Installation height: 3–6m

## 适用场所 Suitable places

广泛用于各类厂区、车间、场站灯场所和大型设施、设备、装置等区域作固定照明。

It is widely used in various factories, workshops, station lights and large facilities, equipment, installations and other areas for fixed lighting.



# YD-8190(B) LED 平台灯

## 配用光源 Light source

型号 Type	光源 Light Source	额定功率 (W) Rated Power	光通量 (lm) Luminous Flux	平均使用寿命 (h) Average Aervice Life	色温色温 (K) Color Temperature
YD-8190(B)	LED	20	2200	50000	3000–6500
YD-8190(B)	LED	30	3300	50000	3000–6500
YD-8190(B)	LED	40	4400	50000	3000–6500
YD-8190(B)	LED	50	5500	50000	3000–6500

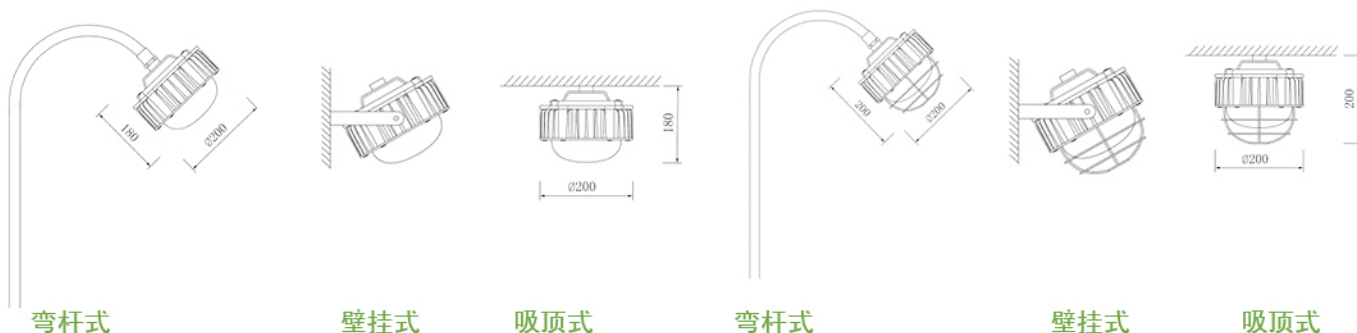
## 材质和特性

1. 精确的环照型配光设计，可满足客户现场 360 度照明需要。
2. 灯具透明件采用防眩光设计，配光均匀度高，防眩光效果好，提高照明舒适度。
3. 冷白、暖白两种配置可供选择，适合不同场所的照明需求。
4. 采用国际品牌新一代 LED 光源，光效高。
5. 驱动电路效率达到 0.95 以上，更高效节能。
6. LED 光源寿命长达 50000 小时，实现灯具光源免维护。
7. 驱动电路采用胶封设计，防水、防潮、抗震效果好。
8. 优良散热结构设计，提高光源的光效和寿命。
9. 从结构设计上满足防水要求，整灯防护等级 IP65，可在室内、室外各种场所可靠使用。
10. 整灯人性化设计，重量轻，方便安装维护。
11. 可满足弯杆式、壁挂式、吸顶式等多种安装方式。

## Material and characteristics

1. Accurate ring light distribution design which can meet customer's 360 degree lighting needs.
2. The transparent parts of lamps are designed with anti glare, the light distribution is high, the glare effect is good, and the lighting comfort is improved.
3. Two configurations of cold white and warm white are available for selection, which is suitable for the lighting requirements of different places.
4. Adopt the new generation of LED light source with high efficiency.
5. The efficiency of the drive circuit is over 0.95, more efficient and energy saving.
6. The source life of LED light up to 50000 hours, which realize the maintenance free of light source.
7. The driving circuit adopts glue seal design, waterproof, moisture-proof and anti-seismic effect is good.
8. Excellent heat dissipation structure design improved the light efficiency and the life of light source.
9. The structural design meets the requirements of waterproofing, and the overall lamp protection level is IP65, which can be used reliably in various indoor and outdoor locations.
10. Humanized design of whole lamp, light weight, convenient installation and maintenance.
11. It can satisfy curved lever, wall hanging type, ceiling type and other installation methods.

## 外形尺寸及安装方式 Shape size and installation method





### 性能参数 Performance parameters

额定电压 Rated voltage: 85–260V  
 适配光源 Suitable light source: LED  
 防护等级 Protection grade: IP65  
 防腐等级 Anticorrosion grade: WF2  
 引出电缆 Elicited cable: 30–50cm  
 重量 Weight: 4.9kg  
 包装尺寸 Package size: 31 × 31 × 31cm  
 安装高度 Installation height: 6–9m

### 适用场所 Suitable places

广泛用于各类厂区、车间、场站灯场所和大型设施、设备、装置等区域作固定照明。  
 It is widely used in various factories, workshops, station lights and large facilities, equipment, installations and other areas for fixed lighting.

## YD-9186LED 平台灯

### 配用光源 Light source

型号 Type	光源 Light Source	额定功率 (W) Rated Power	光通量 (lm) Luminous Flux	平均使用寿命 (h) Average Aervice Life	色温 (K) Color Temperature
YD-9186	LED	40	4400	50000	3000–6500
YD-9186	LED	50	5500	50000	3000–6500
YD-9186	LED	80	8800	50000	3000–6500

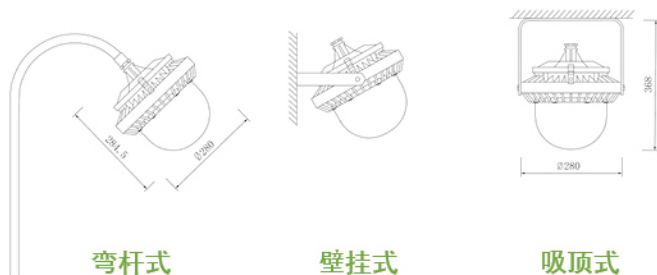
### 材质和特性

1. 精确的环照型配光设计, 可满足客户现场 360 度照明需要。
2. 灯具透明件采用防眩光设计, 配光均匀度高, 防眩光效果好, 提高照明舒适度。
3. 冷白、暖白两种配置可供选择, 适合不同场所的照明需求。
4. 采用国际品牌新一代 LED 光源, 光效高。
5. 驱动电路效率达到 0.95 以上, 更高效节能。
6. LED 光源寿命长达 50000 小时, 实现灯具光源免维护。
7. 驱动电路采用胶封设计, 防水、防潮、抗震效果好。
8. 优良散热结构设计, 提高光源的光效和寿命。
9. 从结构设计上满足防水要求, 整灯防护等级 IP65, 可在室内、室外各种场所可靠使用。
10. 整灯人性化设计, 重量轻, 方便安装维护。
11. 可满足弯杆式、壁挂式、吸顶式等多种安装方式。

### Material and characteristics

1. Accurate ring light distribution design which can meet customer's 360 degree lighting needs.
2. The transparent parts of lamps are designed with anti glare, the light distribution is high, the glare effect is good, and the lighting comfort is improved.
3. Two configurations of cold white and warm white are available for selection, which is suitable for the lighting requirements of different places.
4. Adopt the new generation of LED light source with high efficiency.
5. The efficiency of the drive circuit is over 0.95, more efficient and energy saving.
6. The source life of LED light up to 50000 hours, which realize the maintenance free of light source.
7. The driving circuit adopts glue seal design, waterproof, moisture-proof and anti-seismic effect is good.
8. Excellent heat dissipation structure design improved the light efficiency and the life of light source.
9. The structural design meets the requirements of waterproofing, and the overall lamp protection level is IP65, which can be used reliably in various indoor and outdoor locations.
10. Humanized design of whole lamp, light weight, convenient installation and maintenance.
11. It can satisfy curved lever, wall hanging type, ceiling type and other installation methods.

### 外形尺寸及安装方式 Shape size and installation method





## 性能参数 Performance parameters

额定电压 Rated voltage: 220V-50Hz  
 适配光源 Suitable light source: LED  
 防护等级 Protection grade: IP65  
 防腐等级 Anticorrosion grade: WF2  
 引入电缆 Elicited cable:  $\phi$ 8mm-10mm  
 重量 Weight: 5kg  
 安装高度 Installation height: 6-10m

## 适用场所 Suitable places

广泛用于各类厂区、车间、场站灯场所和大型设施、设备、装置等区域作固定照明。

It is widely used in various factories, workshops, station lights and large facilities, equipment, installations and other areas for fixed lighting.



# YD-9822 厂房灯

## 配用光源 Light source

型号 Type	光源 Light Source	额定功率 (W) Rated Power	光通量 (lm) Luminous Flux	平均使用寿命 (h) Average Service Life	色温 (K) Color Temperature
YD-9822	LED	100	11000	50000	3000-6500
YD-9822	LED	150	17250	50000	3000-6500
YD-9822	LED	200	23000	50000	3000-6500

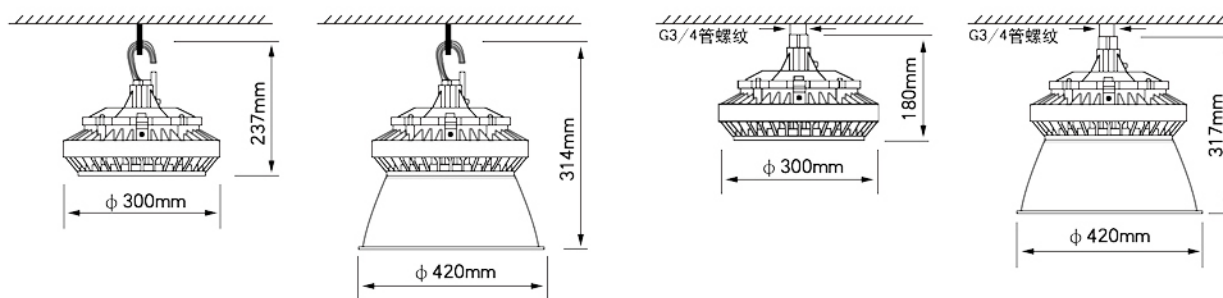
## 材质和特性

1. 采用国际品牌LED光源, 100W可替换150W金卤灯, 节能效果40%以上;
2. 具有中宽配光两种配光形式, 可根据不同细分市场6-10米范围高度进行选择, 提高作业照度;
3. 采用遮光角设计, 减少了灯具光线对人眼的直接照射, 减少直接眩光, 提高作业舒适度;
4. 长寿命LED光源, 实现灯具免维护;
5. 长寿命LED电子驱动, 可靠性更高;
6. 防灰尘沉积的外观设计, 保证了灯具表面清洁性及散热;
7. 挂钩式和吊杆式安装方式, 满足不同客户现场安装要求。

## Material and characteristics

1. International brand LED light source, 100W can replace 150W metal halide lamp, energy saving effect of more than 40%;
2. There are two types of light distribution: medium and wide, which can be selected according to the height range of 6-10 meters in different market segments to improve the illumination.
3. Adopt the shading Angle design to reduce the direct light of the lamps to the human eyes, reduce the direct glare, and improve the working comfort;
4. long life LED light source, to achieve maintenance free lamps;
5. long life LED electronic drive, higher reliability;
6. The appearance design of anti-dust deposition ensures the surface cleanliness and heat dissipation of lamps;
7. Hook and boom installation to meet the on-site installation requirements of different customers.

## 外形尺寸及安装方式 Shape size and installation method



挂钩式

吊杆式



### 适用范围 Scope of application

1. 适用于铁路、电力、冶金及各类厂区、场站和大型设施、场馆等场所高效照明。
2. 适用于腐蚀性强、多水、多尘、潮湿的环境场所。
3. 主要作为厂房照明，尤其是适合有腐蚀性气体的车间照明。

1. It is suitable for high-efficiency lighting in railway, electric power, metallurgy and all kinds of factories, stations, large-scale facilities, venues and other places.
2. It is suitable for corrosive, water-rich, dusty and humid environment.
3. Mainly used as workshop lighting, especially for workshop lighting with corrosive gases.

### 适用场所 Suitable places

广泛用于各类厂区、车间、场站灯场所和大型设施、设备、装置等区域作固定照明。

It is widely used in various factories, workshops, station lights and large facilities, equipment, installations and other areas for fixed lighting.

## YDFB-9189

### 整灯结构特点 Structural characteristics of the whole lamp

1. 铝合金压铸壳体，表面高压静电喷塑。
2. 高防腐性能的不锈钢外漏紧固件。
3. 专业设计的配光系统，光效高、利用率高、配光合理、照度均匀。
4. 透明罩采用聚碳酸酯，高透光率、抗强力冲击、抗老化。
5. 专业设计内防护结构，确保在恶劣环境下正常工作。
6. 采用外周阵列散热片设计，极大地避免了堆积灰尘的现象。内部采用内圆阵列散热片使光源温度快速向外传导，使LED光源温度均衡，极大的保证了灯具的使用寿命。
7. 特制的恒流恒压电源，宽电压输入，恒功率输出，具有恒流、开路保护、短路保护等功能。
8. 高功率因数， $\cos\phi > 0.95$ 。

1. Aluminum alloy die-casting shell with high voltage electrostatic spraying.
2. Leakage tight drawing of stainless steel with high corrosion resistance.
3. Specially designed light distribution system has high light efficiency, high utilization rate, photosynthesis and uniform illumination.
4. The transparent cover is made of polycarbonate with high transmittance, strong impact resistance and aging resistance.
5. Professional design of internal protection structure to ensure normal operation in harsh environment.
6. The design of outer circular array radiator greatly avoids dust accumulation. The inner circular array radiator is used. It makes the temperature of the light source transmit outward rapidly, makes the temperature of the LED light source equalize, and greatly ensures the service life of the lamps and lanterns.
7. Special constant current constant voltage Power supply, wide voltage input, constant power output, with constant current, open circuit protection, short circuit protection and other functions.
8. High power factor,  $\cos\phi > 0.95$ .

### 主要技术参数 Main technical parameters

额定电压: AC100-240V 50/60Hz

额定功率: 100W、120W、140W

光源类型: LED

防护等级: IP66

防腐等级: WF2

绝缘等级: 1

发光因素: 0.95

色温: 2700-7000K

适用电缆:  $\phi 10\text{mm}-\phi 14\text{mm}$  电缆

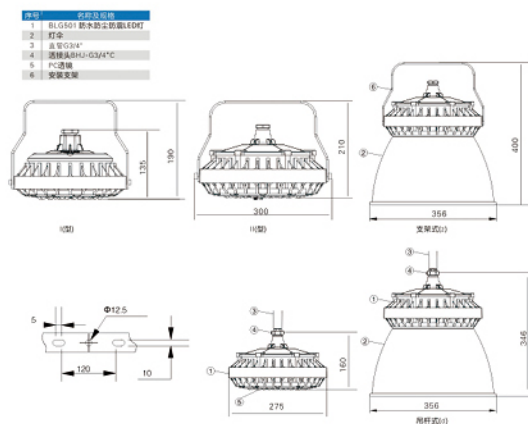
安装方式: 壁式、吸顶式、护栏式、立杆式

Rated voltage	AC/DC220V $\pm 25\%$ 50Hz
Rated power	100W, 120W, 140W
Light source type	ExdIICT6/ExrRIIT6/DIPA20TA, T6
Protection grade	IP66
Anticorrosion grade	WF2
Insulation grade	1
Luminous factors	0.95
Color temperature	2700-7000K.
Applicable cable	Suitable for cable of 10mm-14mm
Installation methods	wall type, suction top type, guardrail type and vertical pole type

### 配用光源 Light source

型号 Type	光源 Light Source	额定功率 (W) Rated Power	光通量 (lm) Luminous Flux	平均使用寿命 (h) Average Service Life
YDFB-9189	LED	100	11000	50000
YDFB-9189	LED	120	13200	50000
YDFB-9189	LED	140	15400	50000

### 外形尺寸及安装方式 Shape size and installation method





## 性能参数 Performance parameters

额定电压 Rated voltage: 85–260V  
 适配光源 Suitable light source: LED  
 防护等级 Protection grade: IP65  
 防腐等级 Anticorrosion grade: WF2  
 引出电缆 Elicited cable: 30–50cm  
 重量 Weight: 2.3kg  
 包装尺寸 Package size: 20×20×25cm  
 安装高度 Installation height: 6–9m

## 适用场所 Suitable places

广泛用于各类厂区、车间、场站灯场所和大型设施、设备、装置等区域作固定照明。

It is widely used in various factories, workshops, station lights and large facilities, equipment, installations and other areas for fixed lighting.



# YDSF-9192LED 平台灯

## 配用光源 Light source

型号 Type	光源 Light Source	额定功率 (W) Rated Power	光通量 (lm) Luminous Flux	平均使用寿命 (h) Average Aervice Life	色温 (K) Color Temperature
YDSF-9192	LED	40	4400	50000	3000–6500
YDSF-9192	LED	50	5500	50000	3000–6500
YDSF-9192	LED	80	8800	50000	3000–6500

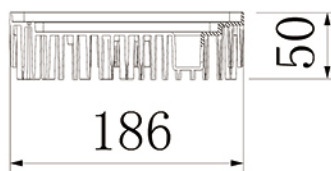
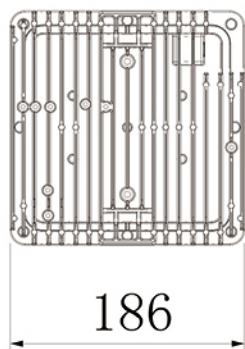
## 材质和特性

1. 精确的环照型配光设计。可满足客户现场 360 度照明需要。
2. 灯具透明件采用防眩光设计。配光均匀度高。防眩光效果好。提高照明舒适度。
3. 冷白、暖白两种配置可供选择。适合不同场所的照明需求。
4. 采用国际品牌新一代 LED 光源。光效高。
5. 驱动电路效率达到 0.95 以上。更高效节能。
6. LED 光源寿命长达 50000 小时。实现灯具光源免维护。
7. 驱动电路采用胶封设计。防水、防潮、抗震效果好。
8. 优良散热结构设计。提高光源的光效和寿命。
9. 从结构设计上满足防水要求。整灯防护等级 IP65。可在室内、室外各种场所可靠使用。
10. 整灯人性化设计。重量轻。方便安装维护。
11. 可满足弯杆式、壁挂式、吸顶式等多种安装方式。

## Material and characteristics

1. Accurate ring light distribution design which can meet customer's 360 degree lighting needs.
2. The transparent parts of lamps are designed with anti glare, the light distribution is high, the glare effect is good, and the lighting comfort is improved.
3. Two configurations of cold white and warm white are available for selection, which is suitable for the lighting requirements of different places.
4. Adopt the new generation of LED light source with high efficiency.
5. The efficiency of the drive circuit is over 0.95, more efficient and energy saving.
6. The source life of LED light up to 50000 hours, which realize the maintenance free of light source.
7. The driving circuit adopts glue seal design, waterproof, moisture-proof and anti-seismic effect is good.
8. Excellent heat dissipation structure design improved the light efficiency and the life of light source.
9. The structural design meets the requirements of waterproofing, and the overall lamp protection level is IP65, which can be used reliably in various indoor and outdoor locations.
10. Humanized design of whole lamp, light weight, convenient installation and maintenance.
11. It can satisfy curved lever, wall hanging type, ceiling type and other installation methods.

## 外形尺寸及安装方式 Shape size and installation method





# YDFB-9280

## 适用范围 Scope of application

1. 适用于爆炸性气体环境 1 区、2 区；
  2. 适用于 IIA、IIB、IIC 级爆炸性气体环境；
  3. 适用于温度组别为 T1 ~ T6 的环境；
  4. 适用于石油隧道、储存、化工、医药、等危险环境；
  5. 用作厂区低空作业或隧道照明。
- 1.It is suitable for area 1 and 2 of explosive gas environment.  
2.Suitable for Class IIA, IIB, IIC explosive gas environment  
3.Suitable for environment with temperature group T1 ~ T6  
4.It is suitable for dangerous environment such as petroleum tunnel, storage, chemical industry, medicine, etc.  
5.Used for low-altitude operation or tunnel lighting in factory area

## 光学系统特点 Characteristics of optical system

1. 优选进口芯片，具有优异的光通维持率及高光效。
  2. 采用表面贴装技术（SMT），大幅度提高导热性能。
  3. 采用最新科技纳米技术，比镀过的工程塑料提高光照度的 16.67%。
1. Optimize the imported chips, which have excellent optical maintenance rate and high optical efficiency.  
2. Surface mounting technology (SMT) is adopted to improve the thermal conductivity greatly.  
3. Using the latest technology and nanotechnology, the illumination is 16.67% higher than that of coated engineering plastics

## 驱动系统特点 Driving System Characteristics

1. 采用恒流驱动，具有短路、过压保护功能。
  2. 优异的兼容性，不会对其它电器造成干扰，可使电压容差 25% 波动。
  3. 驱动采用胶封工艺，确保元器件进行散热及不受腐蚀。
1. Constant current drive with short circuit and over voltage protection function.  
2. Excellent compatibility will not interfere with other electrical appliances, and can make the voltage tolerance fluctuate by 25%.  
3. Sealing technology is used to ensure that components are heat-dissipating and not corroded.

## 整灯结构特点 Structural characteristics of the whole lamp

1. 标准散热结构，接线腔、电源腔，光源腔都独立进行散热，互不影响。
  2. 外露紧固件及其附件采用 304 不锈钢，防腐性能更强。
  3. 灯具轻便，便于安装，螺纹灯壳接口，更便于安装及维护。
  4. 安装方式可选用吸顶式。
1. Standard heat dissipation structure, wiring chamber, Power supply chamber and light source chamber all conduct heat dissipation independently without affecting each other.  
2. Exposed fasteners and accessories adopt 304 stainless steel, which has stronger anti-corrosion performance.  
3. It is easy to install and maintain by adopting an integrated emergency response without the need for another distribution box.  
4. Top-suction type is optional for installation.

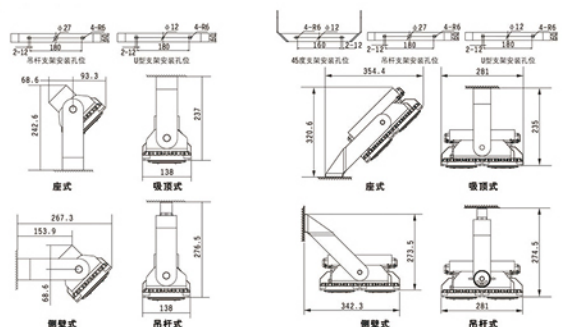
## 配用光源 Light source

型号 Type	光源 Light Source	额定功率 (W) Rated Power	光通量 (lm) Luminous Flux	平均使用寿命 (h) Average Service Life
YDFB-9280	LED	100	11000	50000
YDFB-9280	LED	200	22000	50000
YDFB-9280	LED	300	33000	50000
YDFB-9280	LED	400	44000	50000

## 主要技术参数 Main technical parameters

工作电压	AC/DC220V ± 25% 50Hz
额定功率	100W/200W/300W/400W
防爆标志	ExdIICT4/T6
防护等级	IP66
防腐等级	WF2
功率因素	0.95
尺寸	310x138x125mm
重量	5.5Kg
安装高度	不同功率可在 2.5 米-15 米高度进行安装
安装方式	U 形自调角度壁式安装、马路式、吸顶式
引入装置	G3/4 引入规格，合适 φ10mm-φ14mm 电缆
执行标准	GB3836.1、GB3836.2、IEC60079-0、IEC60079-1、EN60079-0、EN60079-1
Working voltage	AC/DC220V ± 25% 50Hz
Rated power	100W/200W/300W/400W
Ex-mark	ExdIICT4/T6
Protection grade	IP66
Anticorrosion grade	WF2
Power factor	0.95
Dimension	310x138x125mm
Weight	5.5Kg
Installation height	Different powers can be installed at altitudes of 2.5-15 meters.
Installation mode	U-shaped self-adjusting angle wall type installation, road type, suction top type
Lead-in device	G3/4 inlet specification, suitable for cable of 10mm-14mm
Executive standard	GB3836.1, GB3836.2, IEC60079-0, IEC60079-1, EN60079-0, EN60079-1

## 外形尺寸及安装方式 Shape size and installation method







UFO 工矿灯 100W  
UFO mining lamp 100W

UFO 工矿灯 150W  
UFO mining lamp 150W

UFO 工矿灯 200W  
UFO mining lamp 200W

#### 适用场所:

广泛应用于车站、仓库、大型体育馆、钢铁厂及厂房照明。

#### 产品特点:

1. 采用整体铝压铸一体化散热效果。
2. 光源与电原分层式通风设计，有效隔离，延长使用寿命。
3. 全系配呼吸器，使灯具透气干燥，不起雾气。
4. 透镜可选 60 度、90 度、120 度，可应用不同场所。
5. 防水等级 IP65。

#### Suitable places:

Widely used in station, warehouse, large gymnasium, steel plant and factory lighting.

#### Product characteristics:

1. Integrative heat dissipation effect of integral aluminium die casting.
2. Layered ventilation design of light source and electrogen can effectively isolate and prolong service life.
3. The whole system is equipped with respirator, so that the lamp can breathe and dry without fog.
4. Lens can be selected at 60, 90 and 120 degrees. They can be used in different places.
5. Waterproof grade IP65.



### 适用范围 Scope of application

1. 适用于铁路、电力、冶金及各类厂区、场站和大型设施、场馆等场所高效照明。
  2. 适用于腐蚀性强、多水、多尘、潮湿的环境场所。
  3. 主要作为厂房照明，尤其是适合有腐蚀性气体的车间照明。
1. It is suitable for high-efficiency lighting in railway, electric power, metallurgy and all kinds of factories, stations, large-scale facilities, venues and other places.
2. It is suitable for corrosive, water-rich, dusty and humid environment.
3. Mainly used as workshop lighting, especially for workshop lighting with corrosive gases.

## YD-9829 厂房灯



### 配用光源 Light source

型号 Type	光源 Light Source	额定功率 (W) Rated Power	光通量 (lm) Luminous Flux	平均使用寿命 (h) Average Aervice Life	色温 (K) Color Temperature
YD-9829	LED	100	11000	50000	3000-6500
YD-9829	LED	150	16500	50000	3000-6500
YD-9829	LED	200	22000	50000	3000-6500

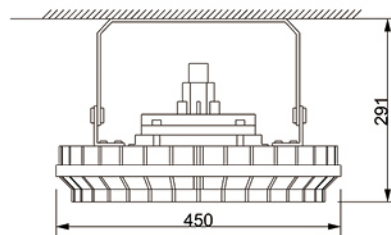
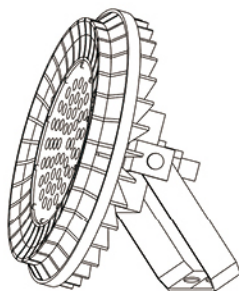
### 材质和特性

1. 采用国际品牌 LED 光源，100W 可替换 150W 金卤灯，200W 可替换 400W 金卤灯，节能效果 40% 以上。
2. 具有中、宽配光两种配光形式，可根据不同细分市场 6-20 米范围高度进行选择，提高作业面照度。
3. 采用遮光角设计，减少了灯具光线对人眼的直接照射，减少直接眩光，提高作业舒适度。
4. 长寿命 LED 光源，实现灯具免维护。
5. 长寿命 LED 电子驱动，可靠性更高。
6. 防灰尘沉积的外观设计，保证了灯具表面清洁性及散热。
7. 挂钩式和吊杆式安装方式，满足不同客户现场安装要求。

### Material and characteristics

1. International brand LED light source, 100W can replace 150W metal halide lamp, 200W can replace 400W metal halide lamp, energy saving effect is over 40%.
2. The product has two types of light distribution, medium and wide light distribution, which can be selected according to the height of 6-20 meters in different market segments, so as to improve the lighting level of the operation area.
3. The product adopts the design of shielding angle, which reduce the direct irradiation of luminaire light to the human eye and the direct dazzle light, and improve the work comfort degree.
4. Long life LED light source, which realize maintenance of lamp.
5. Long life LED electronic drive, higher reliability.
6. The appearance design of anti-dust deposit ensures the surface cleanliness and heat dissipation of lamp.
7. Hook - type and derrick - type installation to meet different customers on site installation requirements.

### 外形尺寸及安装方式 Shape size and installation method





## 性能参数 Performance parameters

额定电压 Rated voltage: 12V/24V/220V  
 适配光源 Suitable light source: LED  
 防护等级 Protection grade: IP65  
 防腐等级 Anticorrosion grade: WF2  
 引出电缆 Elicited cable: 30-50cm  
 重量 Weight: 2.3kg  
 包装尺寸 Package size: 30×28×14cm  
 安装高度 Installation height: 6-9m

## 适用场所 Suitable places

广泛用于各类厂区、车间、场站灯场所和大型设施、设备、装置等区域作固定照明。

It is widely used in various factories, workshops, station lights and large facilities, equipment, installations and other areas for fixed lighting.



# YDFB- 双头应急灯

## 配用光源 Light source

型号 Type	光源 Light Source	额定功率 (W) Rated Power	光通量 (lm) Luminous Flux	平均使用寿命 (h) Average Service Life	色温 (K) Color Temperature
YDFB- 双头应急灯	LED	6	660	50000	3000-6500
YDFB- 双头应急灯	LED				
YDFB- 双头应急灯	LED				

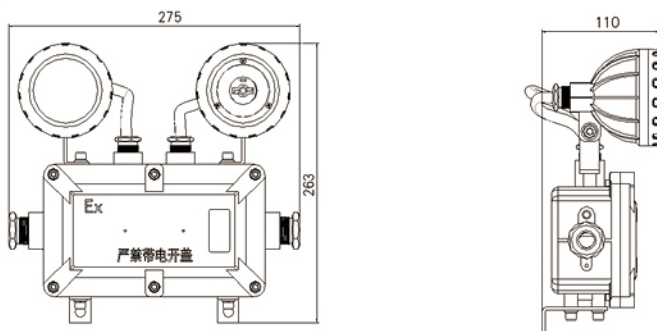
## 材质和特性

1. 精确的环照型配光设计，可满足客户现场 360 度照明需要。
2. 灯具透明件采用防眩光设计，配光均匀度高，防眩光效果好，提高照明舒适度。
3. 冷白、暖白两种配置可供选择，适合不同场所的照明需求。
4. 采用国际品牌新一代 LED 光源，光效高。
5. 驱动电路效率达到 0.95 以上，更高效节能。
6. LED 光源寿命长达 50000 小时，实现灯具光源免维护。
7. 驱动电路采用胶封设计，防水、防潮、抗震效果好。
8. 优良散热结构设计，提高光源的光效和寿命。
9. 从结构设计上满足防水要求，整灯防护等级 IP65，可在室内、室外各种场所可靠使用。
10. 整灯人性化设计，重量轻，方便安装维护。
11. 可满足弯杆式、壁挂式、吸顶式等多种安装方式。

## Material and characteristics

1. Accurate ring light distribution design which can meet customer's 360 degree lighting needs.
2. The transparent parts of lamps are designed with anti glare, the light distribution is high, the glare effect is good, and the lighting comfort is improved.
3. Two configurations of cold white and warm white are available for selection, which is suitable for the lighting requirements of different places.
4. Adopt the new generation of LED light source with high efficiency.
5. The efficiency of the drive circuit is over 0.95, more efficient and energy saving.
6. The source life of LED light up to 50000 hours, which realize the maintenance free of light source.
7. The driving circuit adopts glue seal design, waterproof, moisture-proof and anti-seismic effect is good.
8. Excellent heat dissipation structure design improved the light efficiency and the life of light source.
9. The structural design meets the requirements of waterproofing, and the overall lamp protection level is IP65, which can be used reliably in various indoor and outdoor locations.
10. Humanized design of whole lamp, light weight, convenient installation and maintenance.
11. It can satisfy curved lever, wall hanging type, ceiling type and other installation methods.

## 外形尺寸及安装方式 Shape size and installation method





### 性能参数 Performance parameters

主电功率: < 6W  
 应急功率: < 6W  
 应急电源容量: 2.5Ah  
 应急工作时间: 120min  
 应急充电时间: 24h  
 主电电压: 220V  
 应急电压: DC3.6V  
 外形尺寸: 351\*196\*72mm  
 灯具重量: 3.88KG  
 防护等级: IP65  
 防腐等级: WF2  
 防爆标志: ExdIICT6

### 性能参数 Performance parameters

主电功率: < 6W  
 应急功率: < 6W  
 应急电源容量: 0.8Ah  
 应急工作时间: 120min  
 应急充电时间: < 24h  
 主电电压: 220V  
 应急电压: DC1.2V  
 外形尺寸: 351\*196\*72mm  
 灯具重量: 3.62KG  
 防护等级: IP65  
 防腐等级: WF2  
 防爆标志: ExdIICT6Gb

## YD- 安全出口指示应急灯

### 适用场所 Suitable places

广泛用于各类厂区、车间、场站灯场所和大型设施、设备、装置等区域作固定照明。

It is widely used in various factories, workshops, station lights and large facilities, equipment, installations and other areas for fixed lighting.



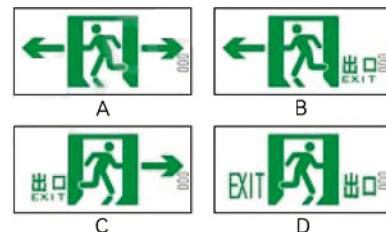
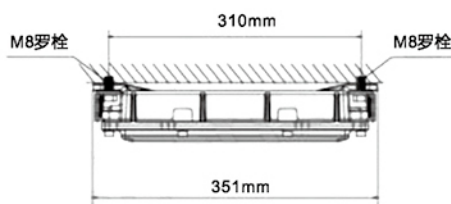
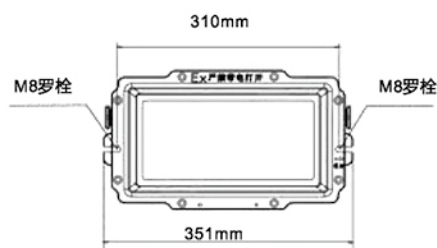
### 材质和特性

1. 精确的环照型配光设计, 可满足客户现场 360 度照明需要。
2. 灯具透明件采用防眩光设计, 配光均匀度高, 防眩光效果好, 提高照明舒适度。
3. 冷白、暖白两种配置可供选择, 适合不同场所的照明需求。
4. 采用国际品牌新一代 LED 光源, 光效高。
5. 驱动电路效率达到 0.95 以上, 更高效节能。
6. LED 光源寿命长达 50000 小时, 实现灯具光源免维护。
7. 驱动电路采用胶封设计, 防水、防潮、抗震效果好。
8. 优良散热结构设计, 提高光源的光效和寿命。
9. 从结构设计上满足防水要求, 整灯防护等级 IP65, 可在室内、室外各种场所可靠使用。
10. 整灯人性化设计, 重量轻, 方便安装维护。
11. 可满足弯杆式、壁挂式、吸顶式等多种安装方式。

### Material and characteristics

1. Accurate ring light distribution design which can meet customer's 360 degree lighting needs.
2. The transparent parts of lamps are designed with anti glare, the light distribution is high, the glare effect is good, and the lighting comfort is improved.
3. Two configurations of cold white and warm white are available for selection, which is suitable for the lighting requirements of different places.
4. Adopt the new generation of LED light source with high efficiency.
5. The efficiency of the drive circuit is over 0.95, more efficient and energy saving.
6. The source life of LED light up to 50000 hours, which realize the maintenance free of light source.
7. The driving circuit adopts glue seal design, waterproof, moisture-proof and anti-seismic effect is good.
8. Excellent heat dissipation structure design improved the light efficiency and the life of light source.
9. The structural design meets the requirements of waterproofing, and the overall lamp protection level is IP65, which can be used reliably in various indoor and outdoor locations.
10. Humanized design of whole lamp, light weight, convenient installation and maintenance.
11. It can satisfy curved lever, wall hanging type, ceiling type and other installation methods.

### 外形尺寸及安装方式 Shape size and installation method



吸顶式



# 工程案例

The engineering case



携手发展 合作共赢

XIESHOUFAZHAN HEZUOGONGYING

## 常州宇迪照明有限公司

地址：江苏省常州市横山桥镇前东洲94号

Address: Jiangsu Province Changzhou City Hengshan Town of Dongzhou No94

电话/传真：0519-83861032

手机：13813594281

商务QQ：956212668

邮箱：zd.yudi@outlook.com

<http://www.czyudi.com>

抖音号：ZD13813594281

展厅地址：江苏省常州市邹区镇灯贸中心C区  
中国路灯城2楼C中223

Exhibition address: Changzhou city of Jiangsu province, Zouqu town,

C area of Lamp Trade Center 2 floor C223 of China Street Lamps City

电话：0519-85558169

手机：13813594281

微信：956212668

